

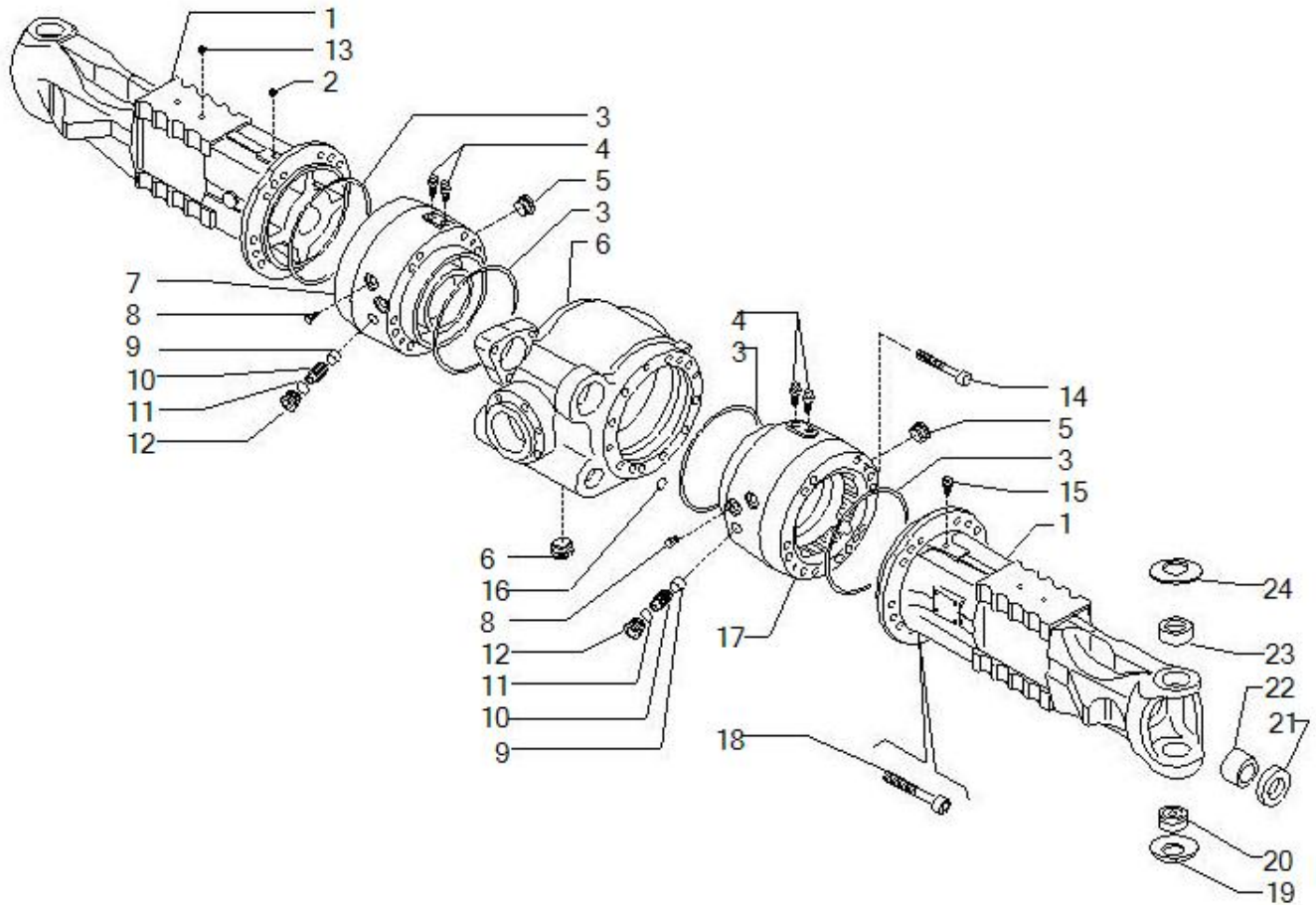


Spare parts catalogue

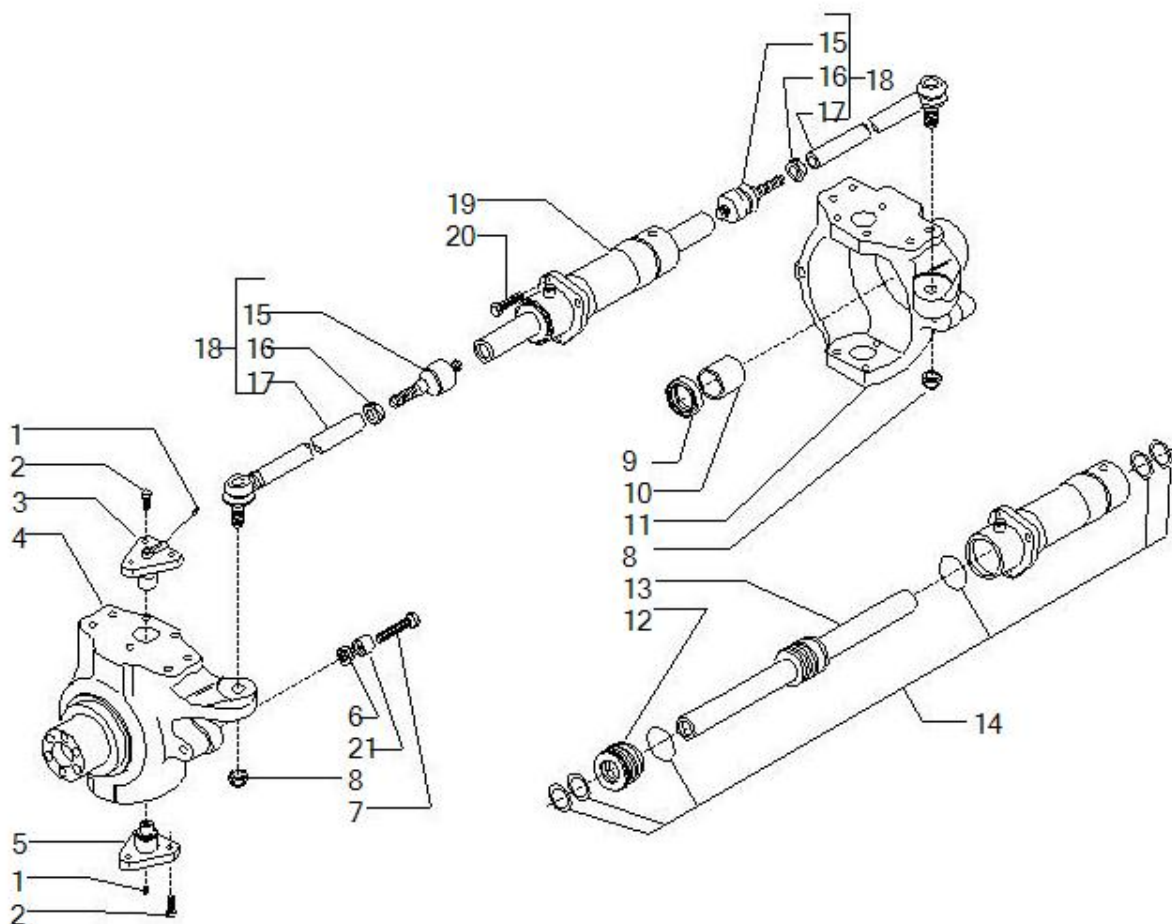
AXLE 26.20M+TB172_(CM13611)

REF: 371717

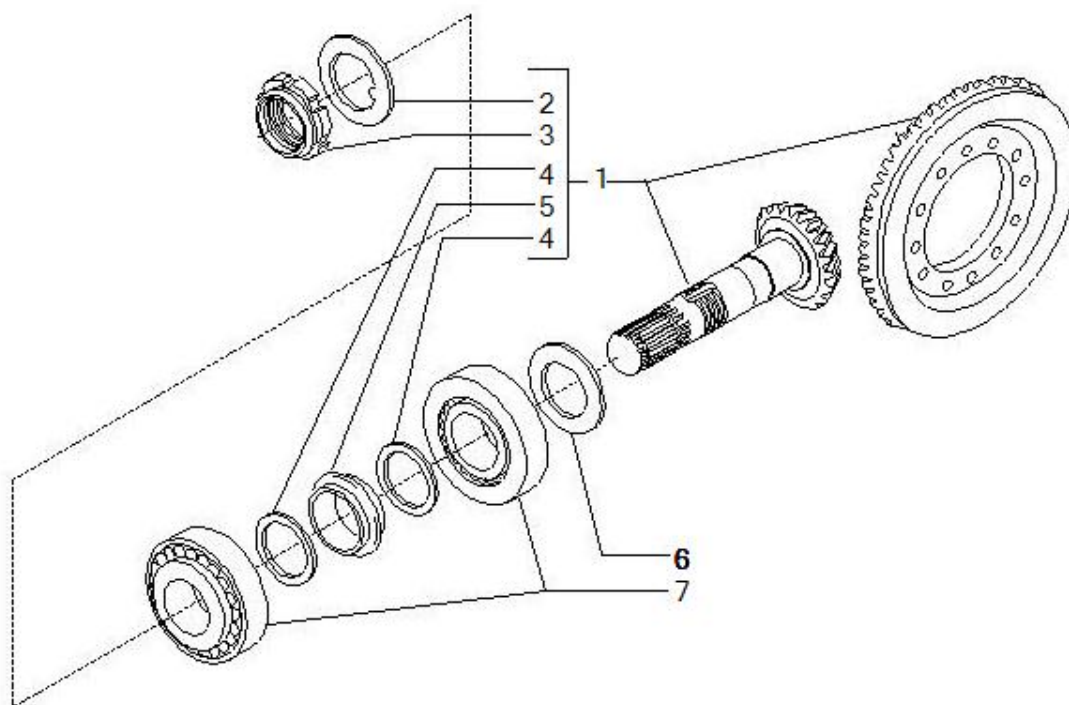
- 1.1 Axle housing**
- 2.1 Swivel housings and steering cylinder**
- 3.1 Bevel gear set**
- 4.1 Differential**
- 5.1 Double U-joint**
- 6.1 Brakes**
- 7.1 Wheel hub**
- 8.1 Final reduction**
- 9.1 Transmission housing**
- 10.1 Lower and upper shafts**



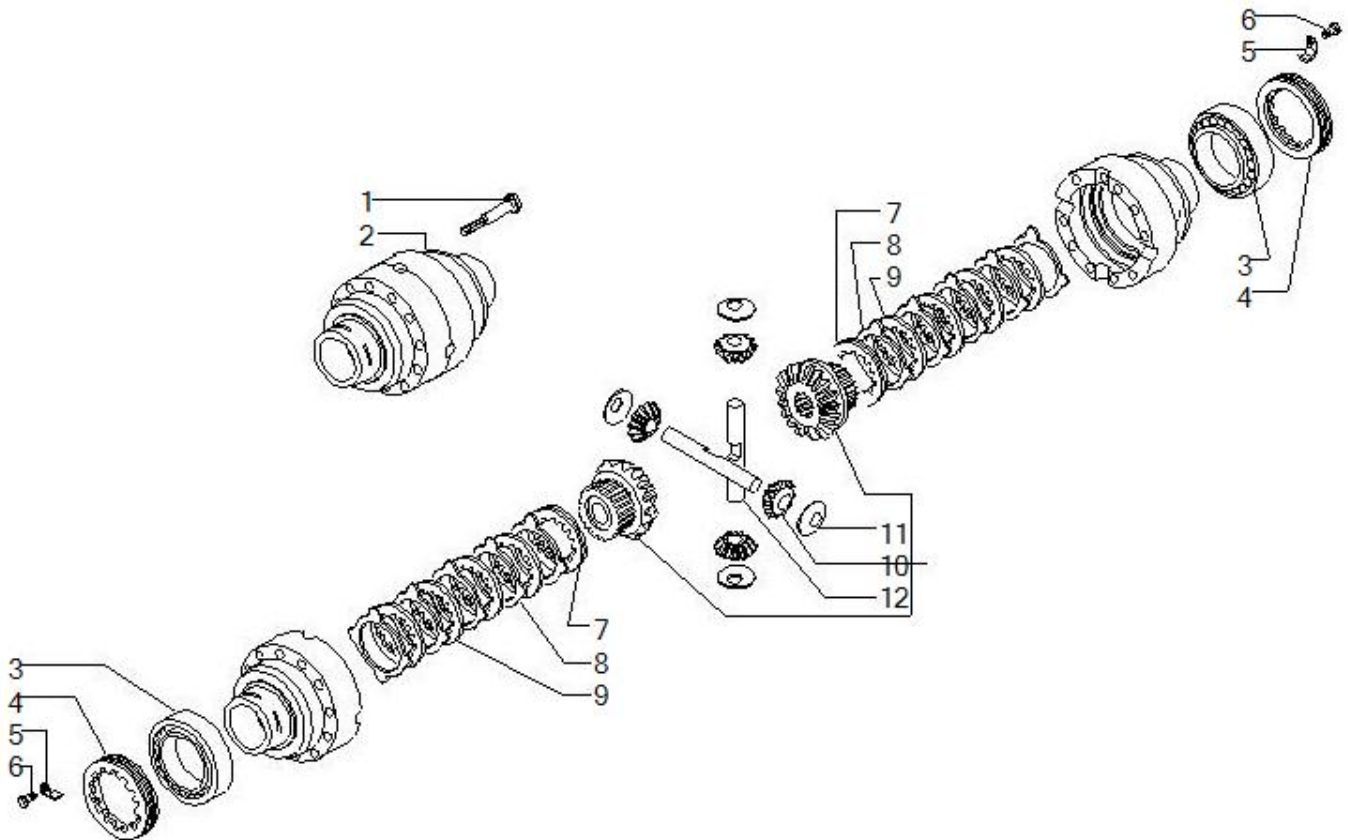
Pos	Ref	Qty	Description	Kit	Note
1	145312	2	BEAM TRUMPET		
2	21558	1	Plug M10x1		
3	28562	4	O.ring		
4	116792	4	BREATHER M10X1 105.3246.11		
5	125280	3	MAGNETIC PLUG M30X2		
6	140520	1	CORPO CENTR. TRAVE 11151		
7	139816	1	BRAKE CYLINDER LH (10755)		
8	30740	4	Plug M10x1		
9	139955	6	PIN		
10	136152	6	SCREW M16X1.5		
11	28534	6	O.ring		
12	139922	6	SCREW M22X1.5 SPECIALE		
13	21494	4	Dowel M10x1.5		
14	21334	2	Bolt M12x110		
15	104988	2	BREATHER M10X1		
16	28111	2	O.ring		
17	139815	1	BRAKE CYLINDER RH (10755)		
18	21364	24	Bolt M16x150		
19	128630	2	BELLEVILLE WASHER 70x47.5x1		
20	045161	2	SPHERICAL BALL 28X52X16 (GE28SX)		
21	139101	2	COMBI RING 42X62X21.5 SF6		
22	118547	2	BUSHING 42X46X32 P AB C		
23	045168	2	KING PIN BUSH 35X52X20		
24	128633	2	BELLEVILLE WASHER 71x36x2.5		



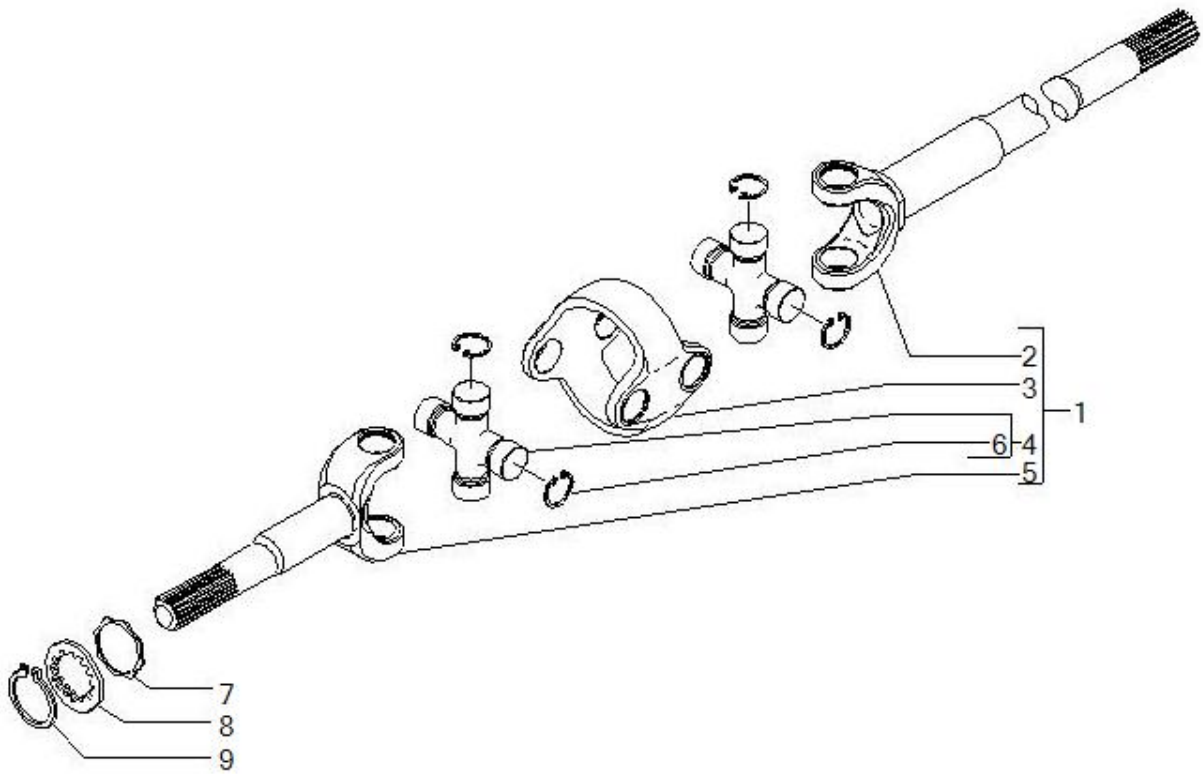
Pos	Ref	Qty	Description	Kit	Note
1	24210	4	LUBRIFICATING NIPPLES UNI 7663 A M6X16		
2	126922	12	SELF-LOCKING SCREW M14X2X35 10.9		
3	128880	2	SWIVEL HOUSING KING PIN (017577)		
4	145273	1	SWIVEL HOUSING LH (012869)		
5	128881	2	SWIVEL HOUSING KING PIN (17576)		
6	22129	4	HEXAGON NUT UNI 5589 M16 8		
7	124748	4	HEX HEAD SCREW UNI 5739 M16X100 STEERING		
8	22431	2	Nut M20x1.5		
9	144485	1	COMBI RING 45X60X16 SF8		
10	125390	2	BUSHING AB C 45X50X35 P		
11	145272	1	SWIVEL HOUSING RH (012868)		
12	49138	1	Cylinder head	641448	A
13	48844	1	Rod	641448	A
14	48845	1	GASKETS KIT MARTINETTO 800280191	641448	A
15	49013	1	Ball joint	135578	
16	70787	1	Nut M24x1.5	135578	
17	49029	1	Tie rod	135578	
18	135578	2	STEERING ROD		
19	641448	1	STEERING CYLINDER 85-38-200 S - Fe		
20	128534	3	SELF-LOCKING SCREW M12X45 10.9		
21	128278	4	BUSH 24.5X16.5X25		



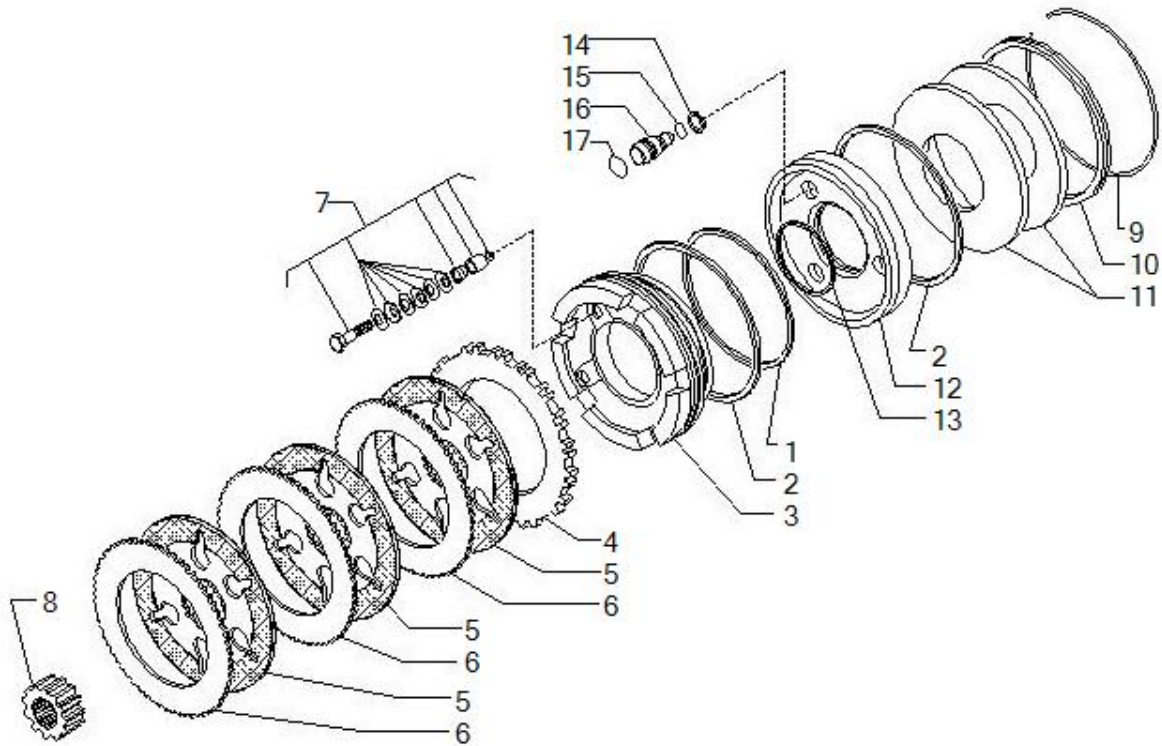
Pos	Ref	Qty	Description	Kit	Note
1	66090	1	Bevel gear set 13/31		
2	113717	1	SAFETY WASHER	66090	
3	115054	1	RING NUT M40X1.5	66090	
4	125829	2	THRUST SHOE 40.5X50X2	66090	
5	125806	1	ELASTIC SPACER 45X42X22.7	66090	
7	27350	2	Bearing		



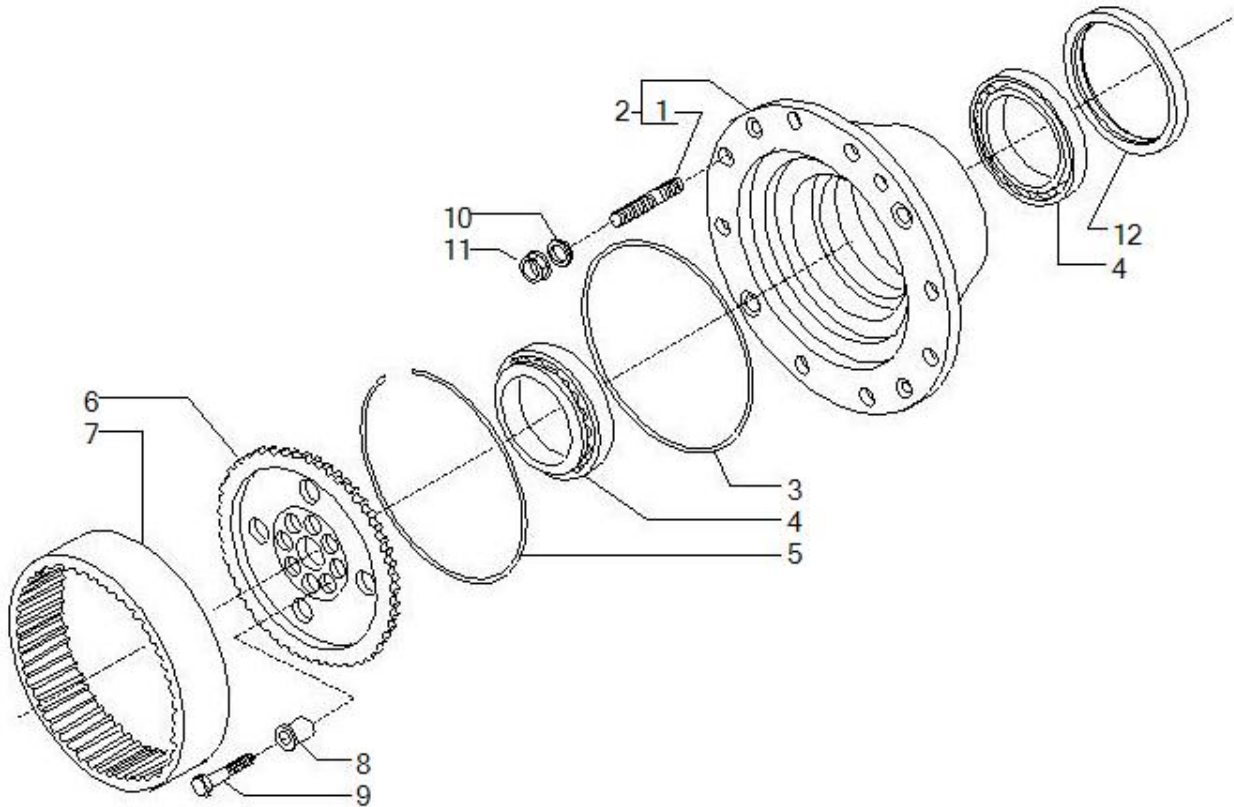
Pos	Ref	Qty	Description	Kit	Note
1	125552	12	HEX HEAD SCREW M10X1.5X75 12.9 ATB		
2	137972	1	COMPLETE DIFF.HOUSING		
3	27309	2	Bearing		
4	107400	2	RING NUT M94X2 (16988)		
5	136156	2	RING NUT STOP		
6	128440	2	SELF-LOCKING SCREW M6X10 10.9		
7	110642	2	DISC BLOCC. DIFF. LD 3108025		
8	110643	10	COUNTERPLATE Diff. locking SP. 1.5		
9	110644	8	DISC Diff. locking LD 3108026		
10	66759	1	Differential kit		
11	115730	4	SPHERICAL WASHER	66759	
12	116369	2	DIFF.PLANET.GEAR PIN	66759	



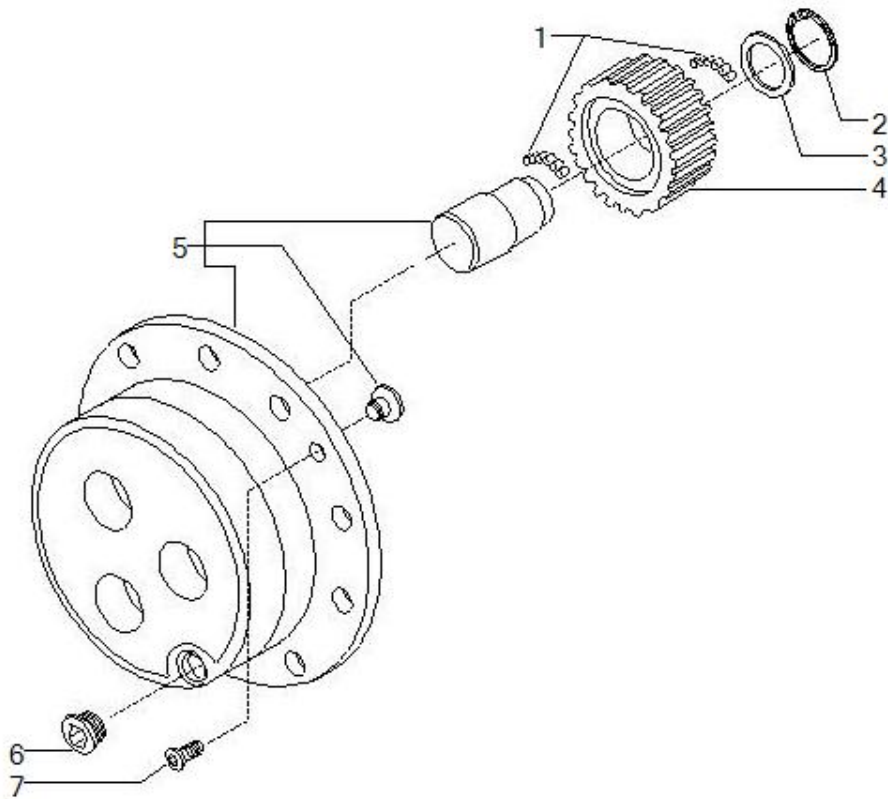
Pos	Ref	Qty	Description	Kit	Note
1	144607	2	DOUBLE U-JOINT B310 55 DF		
2	46218	2	Fork (diff. side)	144607	
3	46217	4	Spider	144607	
4	46215	2	Central body	144607	
5	46175	2	Fork (wheel side)	144607	
7	141366	2	TOOTHED WASHER 44.6X52X4		
8	132165	2	THRUST WASHER 45.3X60X2.5 C67 UNI 7064-8		
9	141368	2	Q RING		



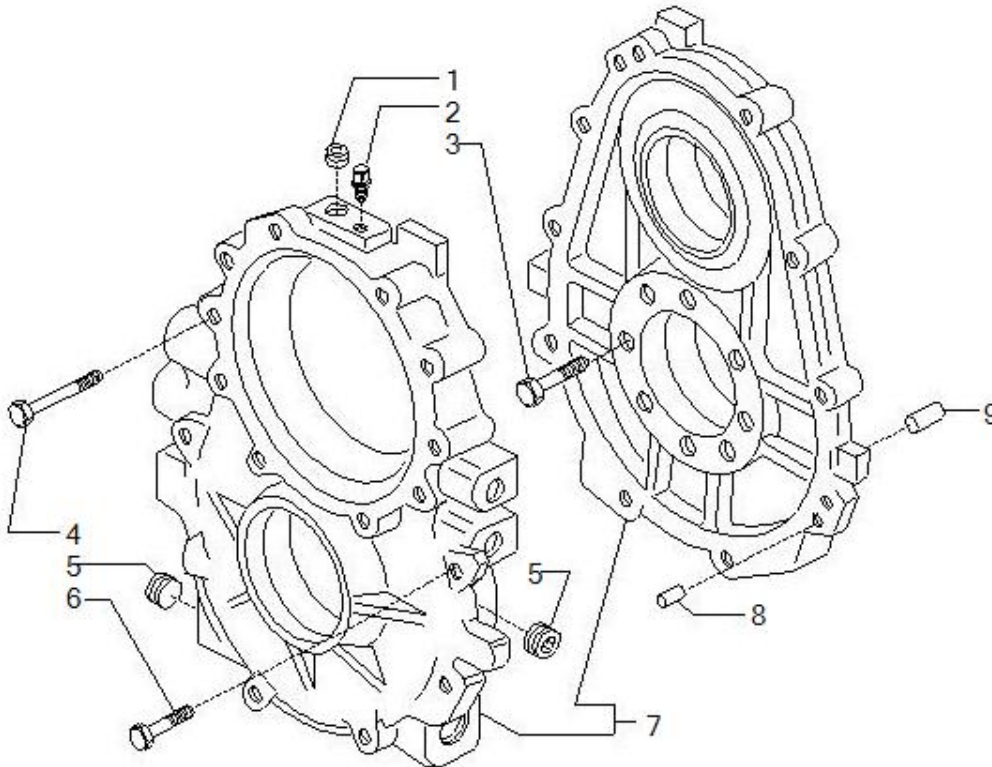
Pos	Ref	Qty	Description	Kit	Note
1	141939	2	O-RING 164.69x3.53		
2	141937	4	O-RING 202.79x3.53 VITON 90 SHORE		
3	135966	2	POSITIVE BRAKE PISTON (11622)		
4	136644	2	COUNTERPLATE Brake (11319)		
5	143874	6	BRAKE DISC N 611-2		
6	136155	6	COUNTERPLATE Brake		
7	66573	2	Kit self adjust		
8	136648	2	DISC TOW SLEEVE		
9	135572	2	CIRCLIP 238X3.2 S64		
10	135998	2	RING		
11	135964	4	BELLEVILLE WASHER 210x120x6		
12	135965	2	NEGATIVE BRAKE PISTON (11621)		
13	141938	2	O-RING 117.07x3.53 VITON 90 SHORE		
14	24782	6	Washer		
15	141936	6	O-RING 2037 9.25x1.78 VITON 75 SHORE A		
16	145815	6	THRUST PIVOT		
17	141935	6	O-RING 3062 15.54x2.62 VITON 90 SHORE		



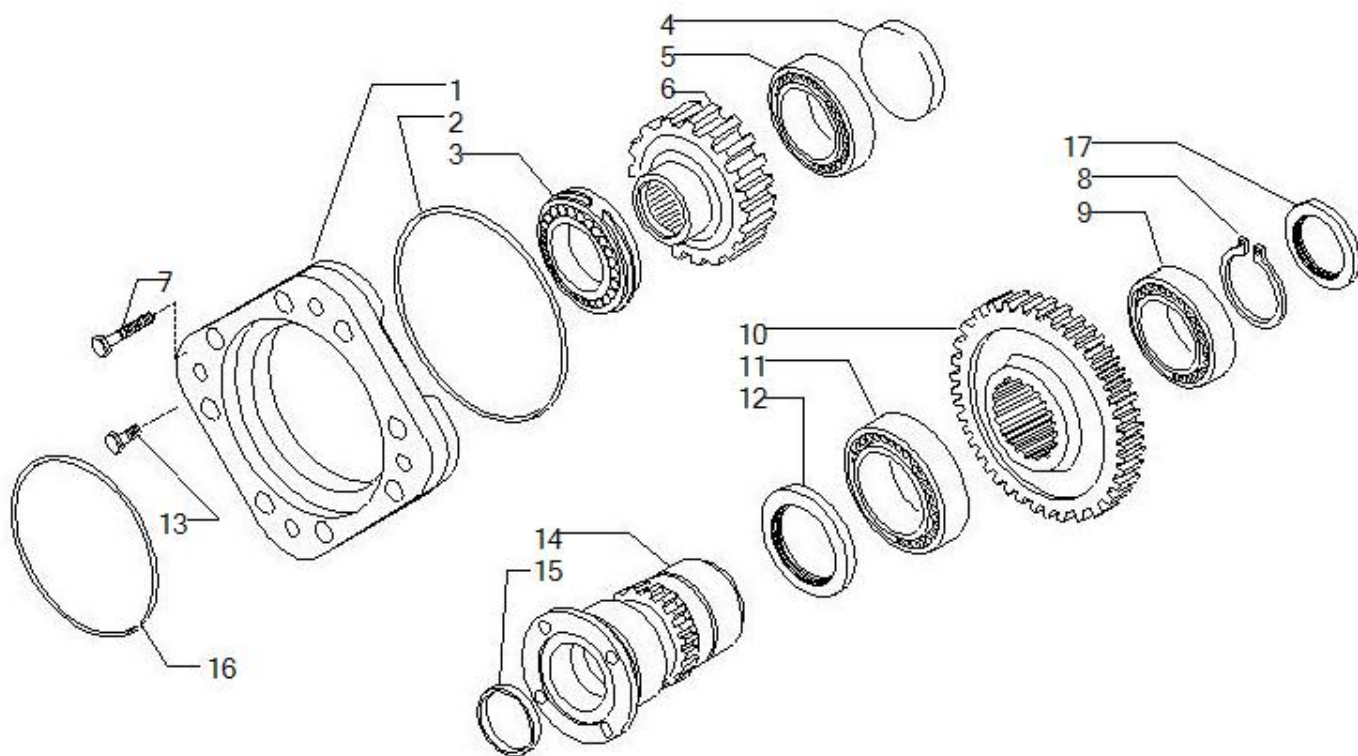
Pos	Ref	Qty	Description	Kit	Note
1	130679	16	STUD 8.8 L76 R18X2.5X18.7 D18X1.5X4	68313	
2	68313	2	Wheel hub kit		
3	28668	2	O.ring		
4	045180	4	TAPE ROLLER THRUST BEARING 158.75X109.53		
5	125344	2	CIRCLIP 188.7X3.5		
6	134298	2	EPIC. WHEEL CARRIER HUB		
7	134299	2	EPICYCLOIDAL RING GEAR		
8	141196	16	CENTERING BUSH		
9	140259	16	SELF-LOCKING SCREW M12X45 10.9		
10	119505	16	SPHERICAL WASHER 18.5 DIN 74361/2B		
11	115812	16	HEXAGON NUT DIN 74361 M18X1.5		
12	47702	2	Seal ring		



Pos	Ref	Qty	Description	Kit	Note
1	28370	336	Bearing needles (by tens)		
2	24793	6	Snap ring		
3	135366	6	FIFTH WHEEL 38.1X45X2.4		
4	135947	6	EPIC.PLANETARY GEAR Z23 M3 L40.6		
5	66285	2	Planetary carrier assy		
6	125280	2	MAGNETIC PLUG M30X2		
7	20490	4	Bolt		



Pos	Ref	Qty	Description	Kit	Note
1	21567	1	Plug M16x1.5		
2	104988	1	BREATHER M10X1		
3	21097	8	Bolt M12x55		
4	20868	2	Bolt M10x75		
5	128050	3	TAPERED PLUG M24X1.5 UNI 5.8		
6	20864	6	Bolt M10x55		
7	144559	1	TRANSMISSION HOUSING COMP		
8	72259	2	Pin D10x25		
9	121710	1	PARALLEL PIN CARRARO STD N. 0-20-90 12X2		
10	128785	2	DRILLED SCREW		
11	23271	4	WASHER 24X30X1.5 RAME		
12	134134	1	OIL RECYCLE PIPE		



Pos	Ref	Qty	Description	Kit	Note
1	136878	1	MOTOR FLANGE (011687)		
2	28611	1	O-Ring		
3	25820	1	Bearing		
4	109747	1	D80X12		
5	25741	1	Bearing		
6	148766	1	GEAR Z44 M2.5		
7	21434	2	Screw M10x90		
8	24816	1	CIRCLIP		
9	25742	1	Bearing		
10	148767	1	GEAR Z90 M2.5		
11	25743	1	Bearing		
12	25296	1	Oil seal ring		
13	21412	6	Screw M10x35		
14	131757	1	LOWER SHAFT CON FLANGIA SAE 1410		
15	130667	1	PLUG UNI 5866 D42X12 FeP 02		
16	28611	1	O-Ring		
17	125442	1	SEAL RING 65X92X14 B1DUOSF		