

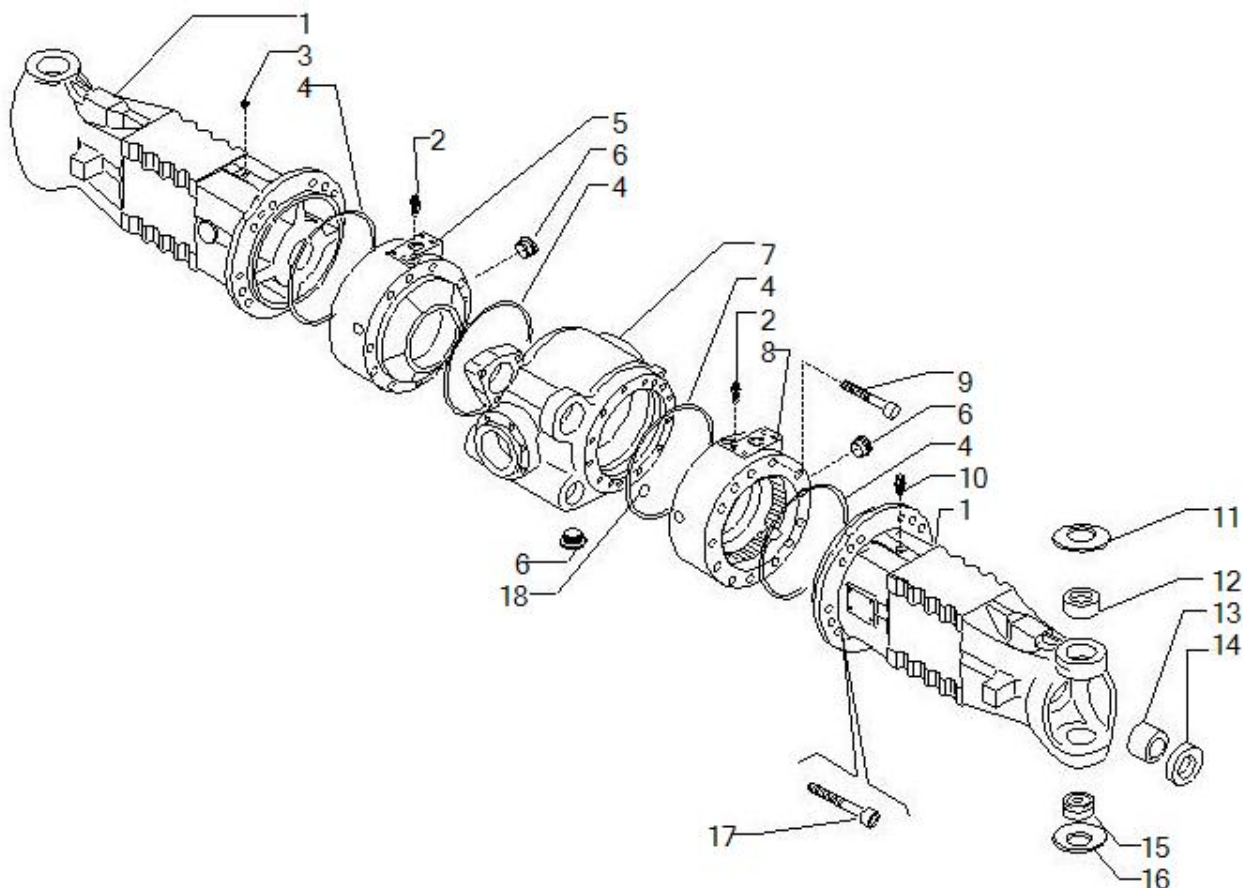


Spare parts catalogue

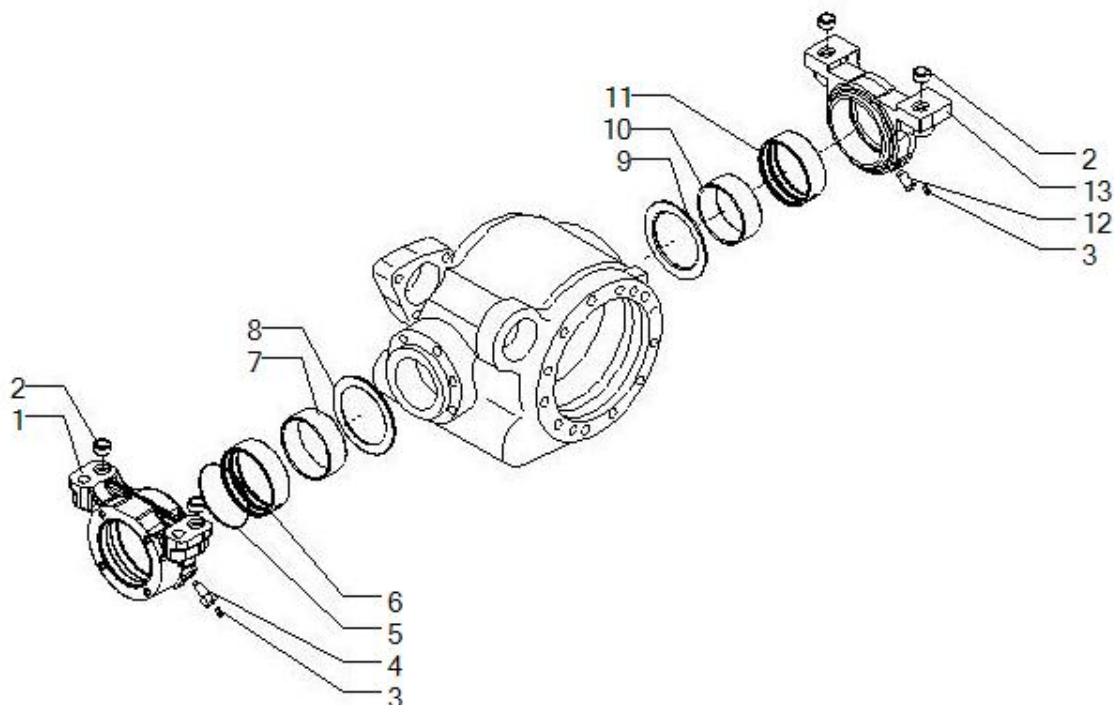
AXLE 26.28M_(ECO13817)

REF: 642022

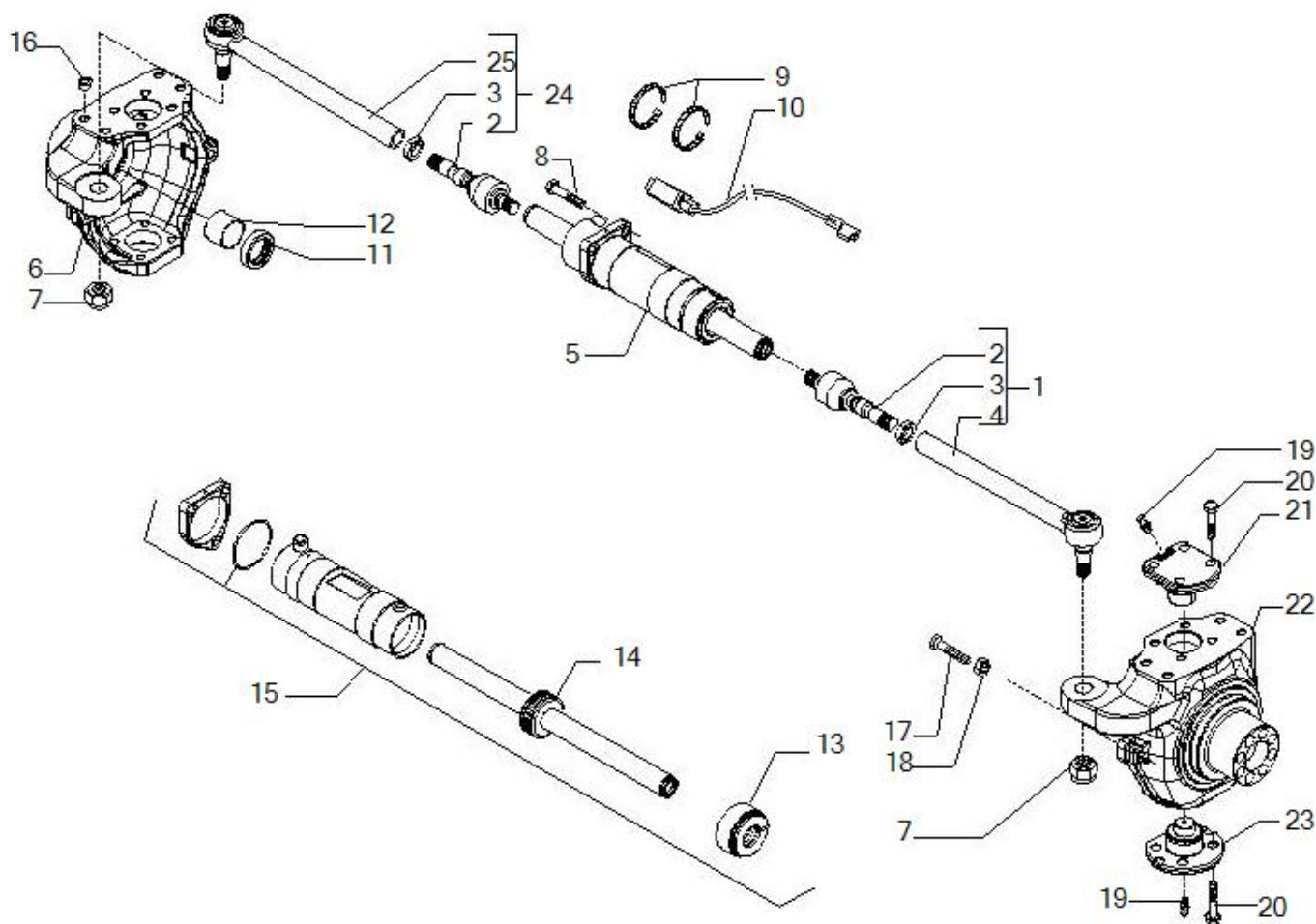
- 1.1 Axle housing**
- 2.1 Supports**
- 3.1 Swivel housings and steering cylinder**
- 4.1 Bevel gear set**
- 5.1 Differential**
- 6.1 Differential locking**
- 7.1 Double U-joint**
- 8.1 Brakes**
- 9.1 Wheel hub**
- 10.1 Final reduction**



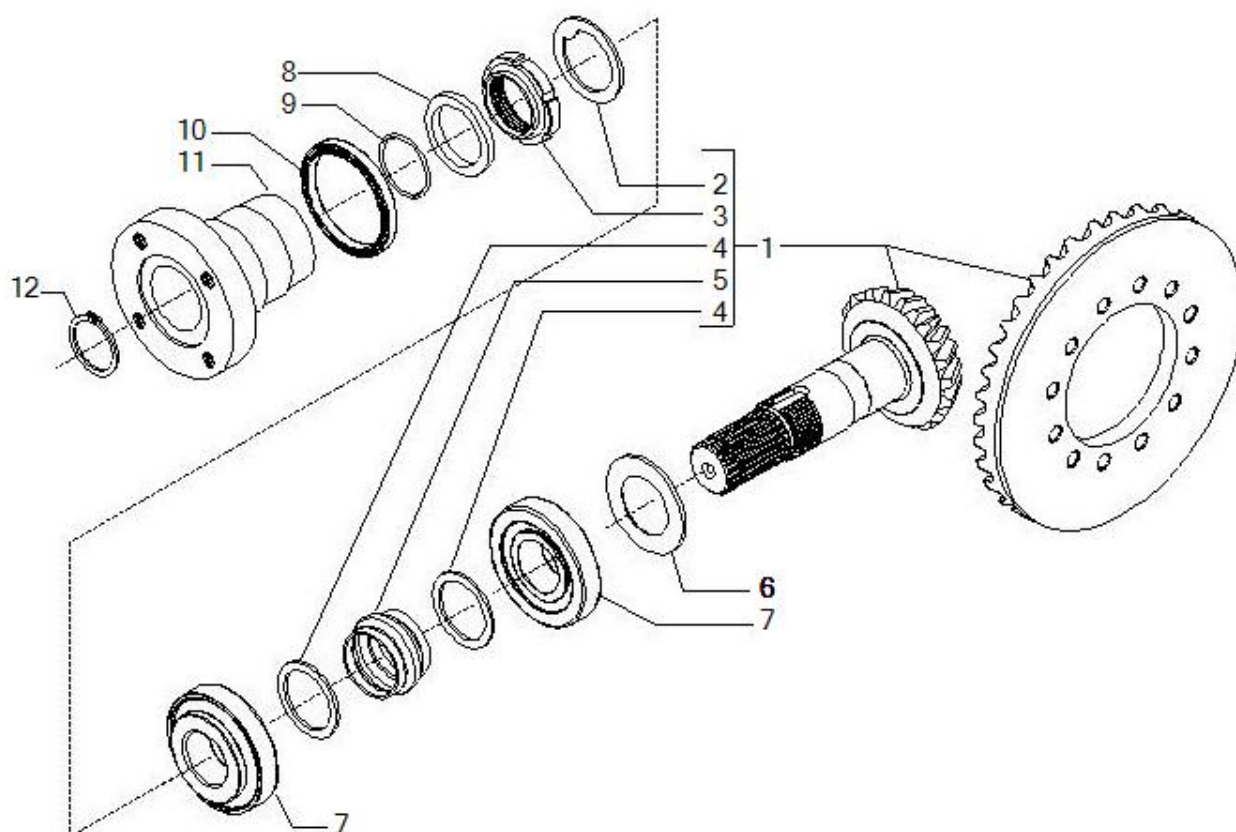
Pos	Ref	Qty	Description	Kit	Note
1	142765	2	BEAM TRUMPET SI (12595)		
2	116792	2	BREATHER M10X1		
3	21558	1	TAPERED PLUG DIN 906 M10X1 -		
4	28562	4	O-RING 4900 2-270 228.19X		
5	138937	1	BRAKE CYLINDER LH (011776		
6	125280	3	MAGNETIC PLUG M30X2		
7	148378	1	BEAM CENTRAL BODY (11151)		
8	138936	1	BRAKE CYLINDER RH (011776		
9	21334	2	HEX SOCKET HEAD CAP SCREW		
10	137474	1	BREATHER M10X1		
11	128632	2	BELLEVILLE SPRING 90x46x2.5 lo5.7 / MOLL		
12	45166	2	KING PIN BUSH 45X62X22		
13	118547	2	BUSHING 42X46X32 P AB C		
14	139101	2	COMBI RING 42X62X21.5 SF6		
15	45160	2	SPHERICAL BALL INA-GE 35 SX V-418		
16	128631	2	BELLEVILLE SPRING 76x56.5x1 lo2.5 / MOLL		
17	21364	24	Bolt M16x150		
18	28111	2	O-RING - 119 5-243 15.08x2.62 NBR		



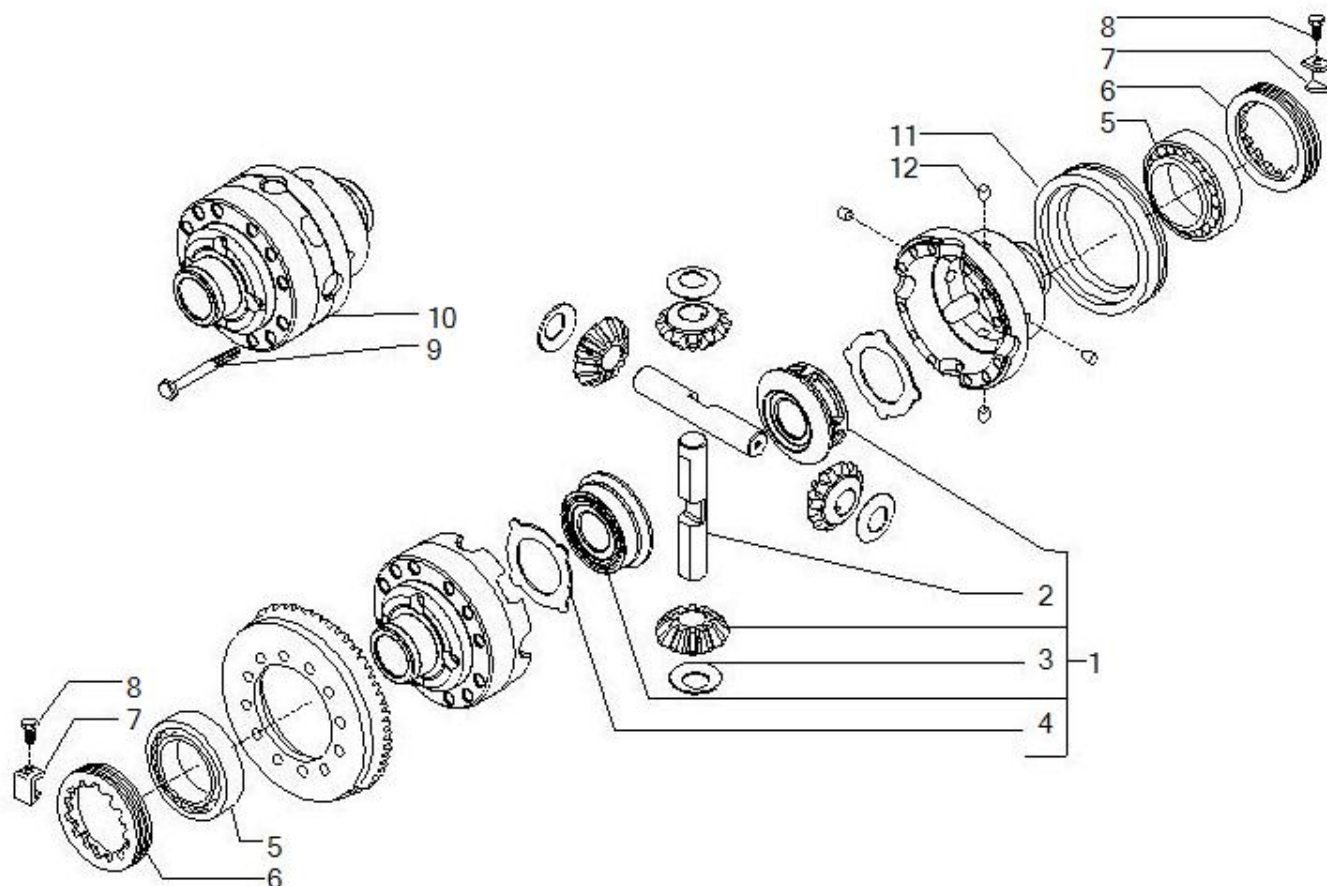
Pos	Ref	Qty	Description	Kit	Note
1	380396	1	AXLE SUPPORT Rear CA019083		
2	116529	4	BUSH 30X21X16.5 C40 UNI 5332-64		
3	24258	2	LUBRIFICATING NIPPLES M8x1con.CH9 Acc.Zn		
4	116530	1	DRILLED SCREW Fe/Zn 5C 1A UNI ISO 2081		
5	28498	1	O-RING 125x2 -		
6	123475	1	SWING BUSHING 125X135X42		
7	124592	1	SWING BUSHING 114.84X125X44		
8	124591	1	THRUST SHOE 154X115.5X5 / RALLA		
9	150031	1	THRUST SHOE 154X110.5X5 / RALLA		
10	131762	1	SWING BUSHING 110X120X46		
11	132512	1	SWING BUSHING 120X130X42		
12	141446	1	HEX HEAD SCREW 8.8 UNI EN 20898/1 Fe/Zn		
13	134714	1	AXLE SUPPORT Front		



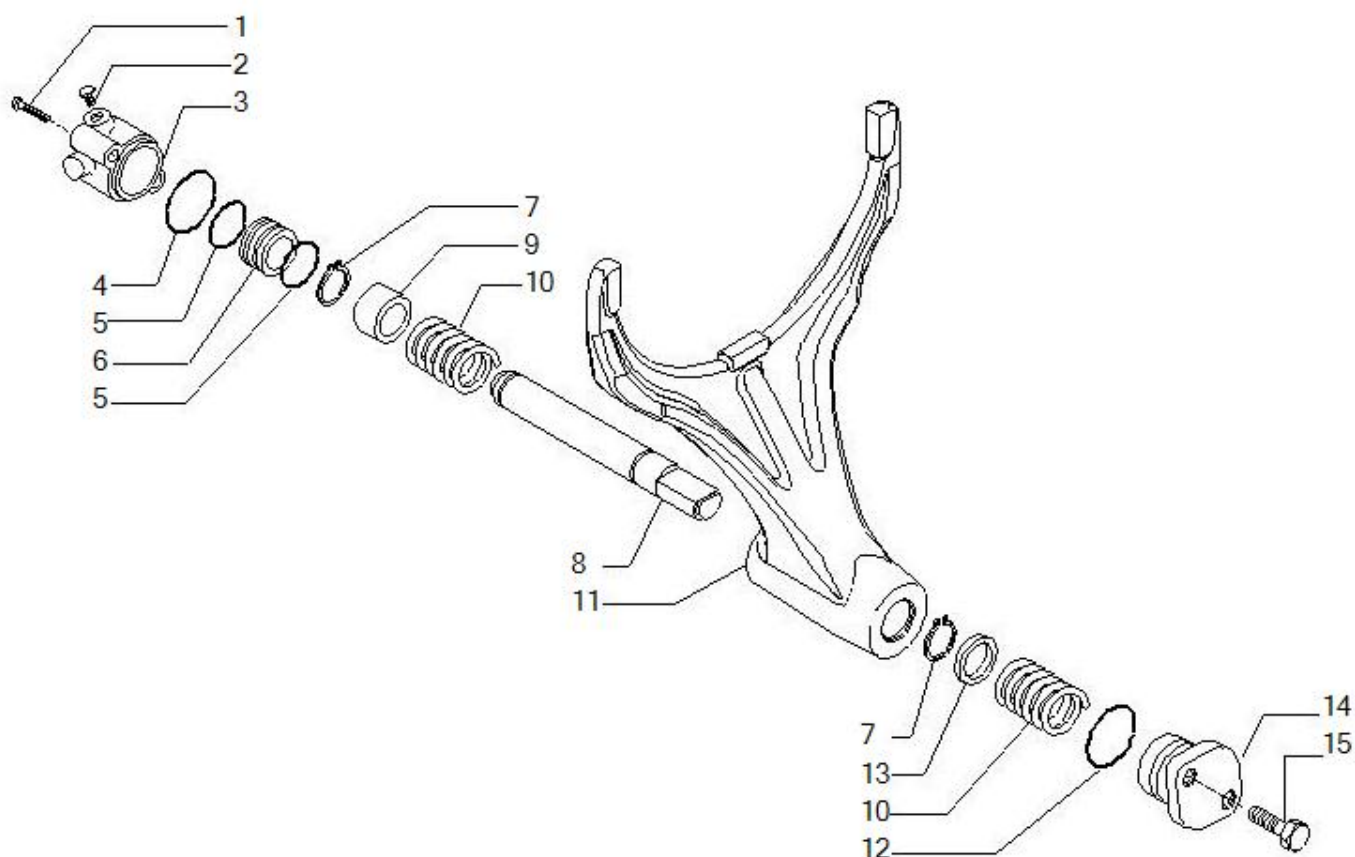
Pos	Ref	Qty	Description	Kit	Note
1	140149	1	STEERING ROD		
2	351504	2	BALL JOINT 40/38 RINF.		
3	70787	2	HEXAGON NUT UNI 5589 M24X1.5 8 - -		
4	351903	1	TIE ROD		
5	374156	1	STEERING CYLINDER DE 85-38-237 Fe		
6	145039	1	SWIVEL HOUSING		
7	22446	2	SELF-LOCKING NUT UNI 7474/DIN985 M24X1.5		
8	128534	3	SELF-LOCKING SCREW M12X45 10.9 - -		
9	28352	2	Clamp		
10	374313	1	MAGNETIC SENSOR NPN N/O L250 in LINEA (F		
11	140224	2	SEAL RING 48X65X16.5 SF6		
12	125161	2	BUSHING 48X53X40		
13	49316	1	Cylinder head		
14	48492	1	Rod		
15	48491	1	Seal kit		
16	30755	8	PLASTIC PLUG D14.5		
17	124748	4	HEX HEAD SCREW UNI 5739 M16X100 8.8 UNI		
18	22129	4	HEXAGON NUT UNI 5589 M16 8		
19	24210	4	LUBRIFICATING NIPPLES M6x1con.CH7 Acc.Zn		
20	126923	16	SELF-LOCKING SCREW M16X2X38 10.9 ACCIAIO		
21	130631	2	SWIVEL HOUSING KING PIN (
22	145040	1	SWIVEL HOUSING		
23	130632	2	SWIVEL HOUSING KING PIN (
24	140150	1	STEERING ROD		
25	351905	1	BALL JOINT TIE ROD		



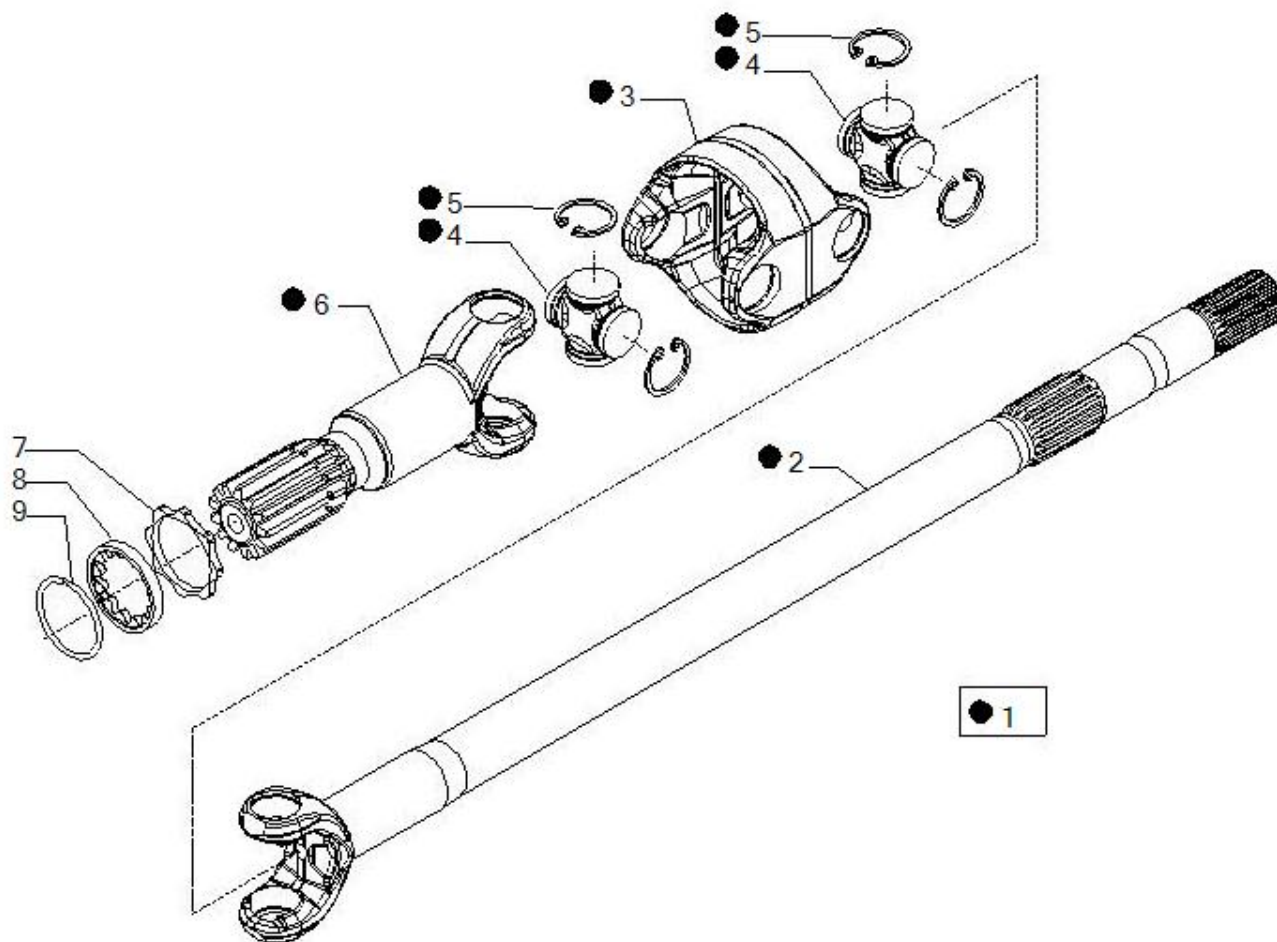
Pos	Ref	Qty	Description	Kit	Note
1	66605	1	BEVEL GEAR SET 12/32		
2	113717	1	WASHER 41X69X2 /RONDELLA FERMO GHIERA PI		
3	115054	1	RING NUT M40X1.5		
4	125829	2	THRUST SHOE 40.5X50X2 MAT101 CARRARO STD		
5	125806	1	ELASTIC SPACER 45X42X22.7		
6	132265	1	SHIM 63X40.3X2.5		
6	132266	1	SHIM 63X40.3X2.6		
6	132267	1	SHIM 63X40.3X2.7		
6	132268	1	SHIM 63X40.3X2.8		
6	132269	1	SHIM 63X40.3X2.9		
6	132270	1	SHIM 63X40.3X3		
6	132271	1	SHIM 63X40.3X3.1		
6	132272	1	SHIM 63X40.3X3.2		
6	132273	1	SHIM 63X40.3X3.3		
6	132274	1	SHIM 63X40.3X3.4		
7	27350	2	TAPE ROLLER THRUST BEARING 31308 90X40X2		
8	123402	1	WASHER C70 UNI 3545-68A NASTRO TEMPRATO		
9	28532	1	O-RING 3137 2-126 34.6x2.62 -		
10	145050	1	CASSETTE RAD.SHAFT SEALX/ 65X92X10/15		
11	139015	1	PM FLANGE DIN 1410		
12	24789	1	Snap ring		



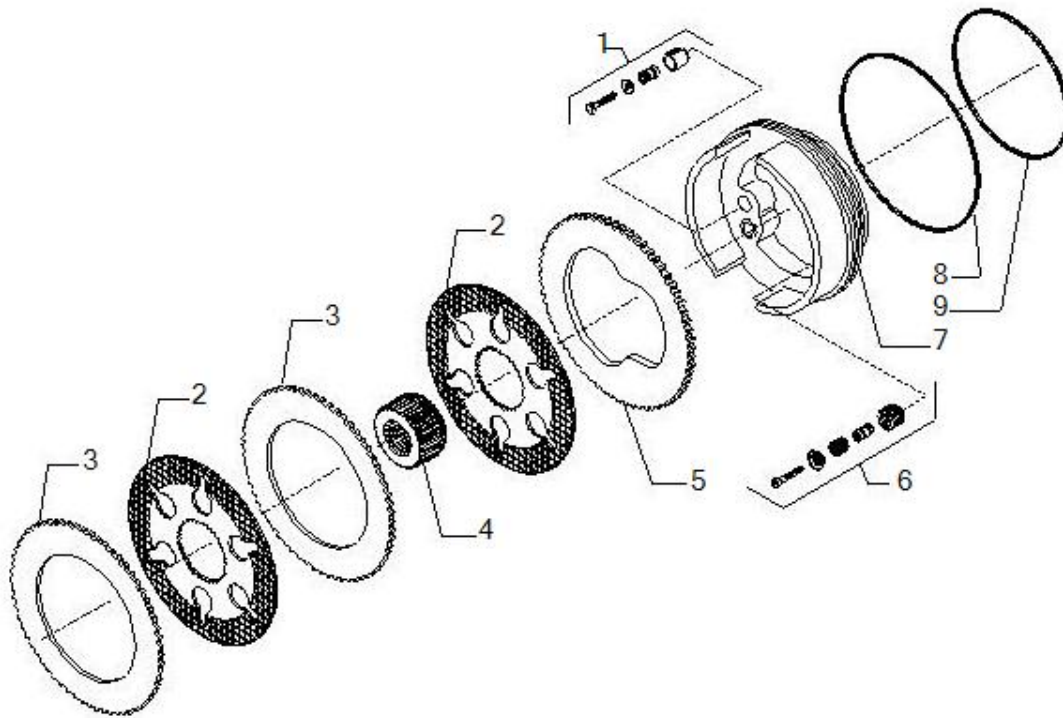
Pos	Ref	Qty	Description	Kit	Note
1	66189	1	DIFF. GEARS KIT		
2	116369	2	DIFF.PLANET.GEAR PIN D22		
3	115730	4	SPHERICAL WASHER washer 22.1X42X1.5 -		
4	120361	2	COUNTERPLATE Diff. locking SP. 1.5		
5	27256	2	TAPE ROLLER THRUST BEARING 32011X 90X55X		
6	125792	2	RING NUT M94X2 MPIF FC 0208 R		
7	129118	2	RING NUT STOP		
8	128440	2	SELF-LOCKING SCREW M6X10 10.9 10.9 UNI E		
9	125552	12	HEX HEAD SCREW M10X1.5X75 12.9 ACCIAIO 1		
10	641865	1	COMPLETE DIFF.HOUSING		
11	134691	1	SLIDING SLEEVE		
12	128955	4	RUNG D10X15.2		



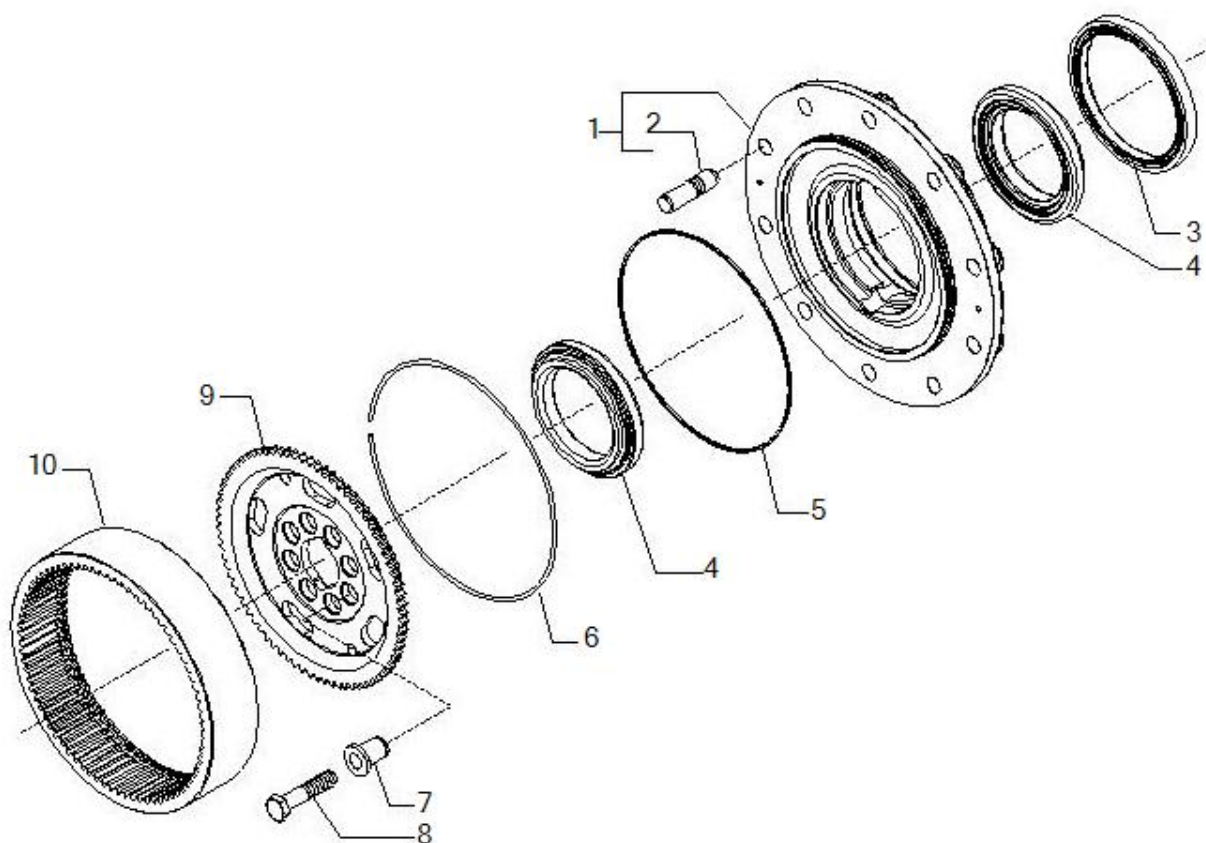
Pos	Ref	Qty	Description	Kit	Note
1	20807	2	Bolt M8x80		
2	30741	1	PLASTIC PLUG /TAPPO PLASTICA M14x1.5		
3	139131	1	CILYNDER SUPPORT LH (11808)		
4	28527	1	O.ring		
5	28121	2	O.ring		
6	139139	1	DIFFERENTIAL LOCKING PISTON		
7	24776	2	Snap ring 20x1.75		
8	139550	1	DIFF.LOCK.SHAFT		
9	139140	1	BUSH 35.93X20X32 41Cr4 UNI 7845		
10	125756	2	COMPRESSION SPRING 60.5X29.5X3.5		
11	143066	1	CONTROL FORK Diff. locking		
12	28557	1	O-RING 3150 2-128 37.77x2.62 -		
13	139549	1	SPACER 31X21X5.5		
14	126143	1	COVER (19112)		
15	20793	2	Bolt M8x30		



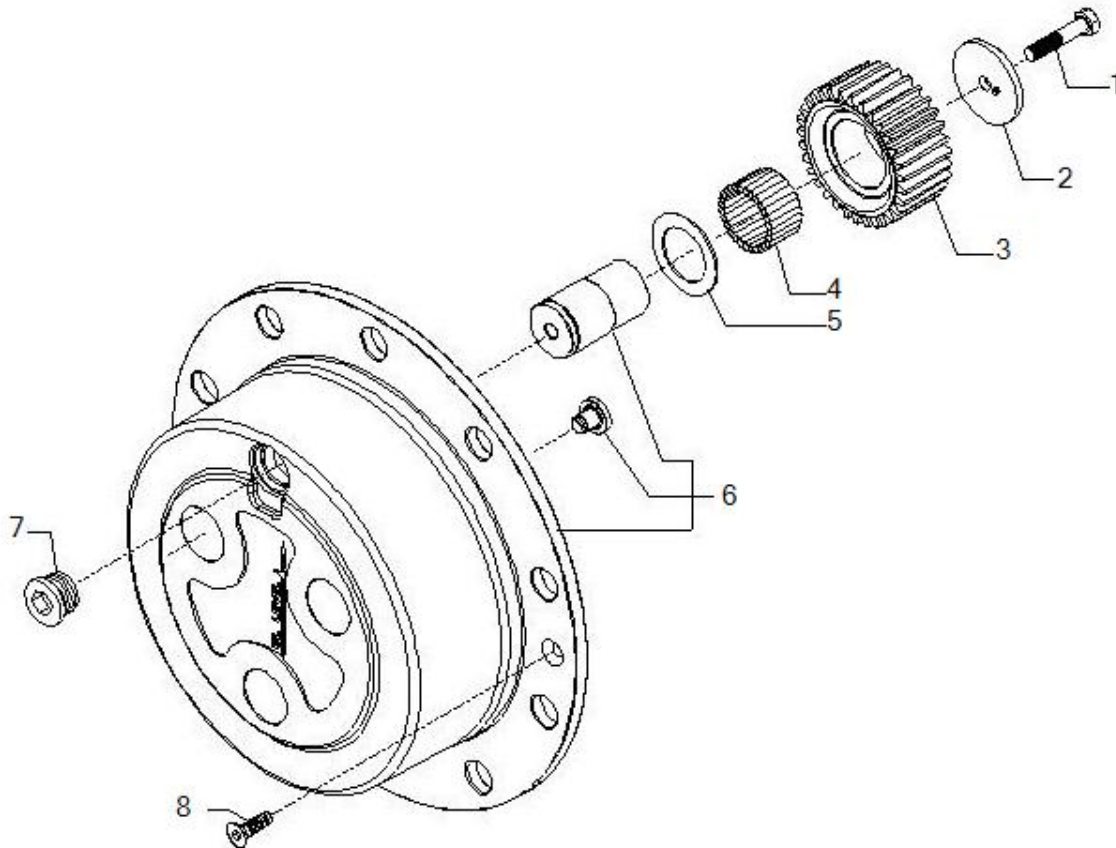
Pos	Ref	Qty	Description	Kit	Note
	46221	2	SPIDER 0.110.018.0015		
1	641925	2	DOUBLE U-JOINT		
2	44162	2	Fork (diff. side)		
6	44146	2	Half shaft (wheel side)		
7	145553	2	FIFTH WHEEL 47X58X5		
8	146945	2	TOOTHED WASHER 47X54X7		
9	147349	2	RING 41.5X3 FILO 3 B DIN 2076 B F3		



<i>Pos</i>	<i>Ref</i>	<i>Qty</i>	<i>Description</i>	<i>Kit</i>	<i>Note</i>
1	66679	2	SELF-ADJUST KIT 139404		
2	143874	4	BRAKE DISC N 611-2		
3	136155	4	COUNTERPLATE Brake		
4	136648	2	DISC TOW SLEEVE		
5	134740	2	COUNTERPLATE Brake (13207)		
6	66678	2	Self-adjust kit		
7	144169	2	BRAKE PISTON 12092		
8	141937	2	O-RING 202.79x3.53 VITON 90 SHORE		
9	141939	2	O-RING 164.69x3.53 FKM 90		



Pos	Ref	Qty	Description	Kit	Note
1	68004	2	Wheel hub kit		
2	116957	20	STUD 10.9 UNI EN ISO 898-1 B6 - CARRARO		
3	47702	2	SEAL RING 150-180-14 5/16		
4	45180	4	TAPE ROLLER THRUST BEARING 158.75X109.53		
5	28579	2	O-RING 41000 2-274 253.59x3.53 -		
6	125233	2	CIRCLIP 238.9X16X3.5 FILO B 3.5 UNI 382		
7	125190	16	CENTERING BUSH		
8	119906	16	SELF-LOCKING SCREW M14X1.5X65 10.9 ACCIA		
9	139633	2	EPIC. WHEEL CARRIER HUB (13057)		
10	125186	2	EPICYCLOIDAL RING GEAR Z77 (16768)		



Pos	Ref	Qty	Description	Kit	Note
1	125229	6	SELF-LOCKING SCREW M10X1.25X50 10.9 ACCI		
2	644650	6	THRUST SHOE 11X65X6 C67 UNI 7064-82		
3	644723	6	EPIC.PLANETARY GEAR Z31 M3 L45.6		
4	28297	168	NEEDLE 5x29.8 (TENS OF 125227)		
5	128731	6	FIFTH WHEEL 40X60X1.5		
6	66055	2	Wheel carrier assy		
7	125280	2	MAGNETIC PLUG M30X2		
8	20490	4	COUNTERSUNK HEAD SCREW UN		