

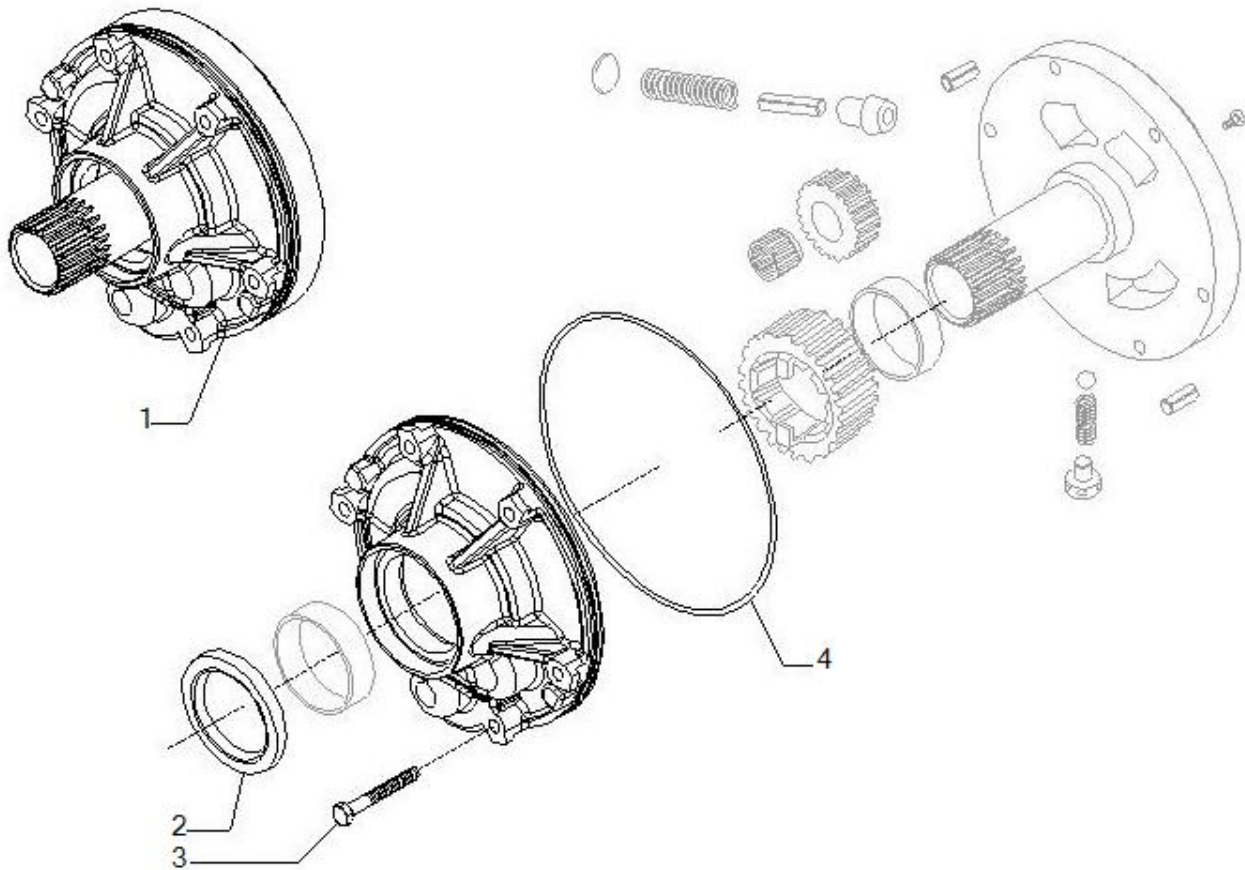


## **Spare parts catalogue**

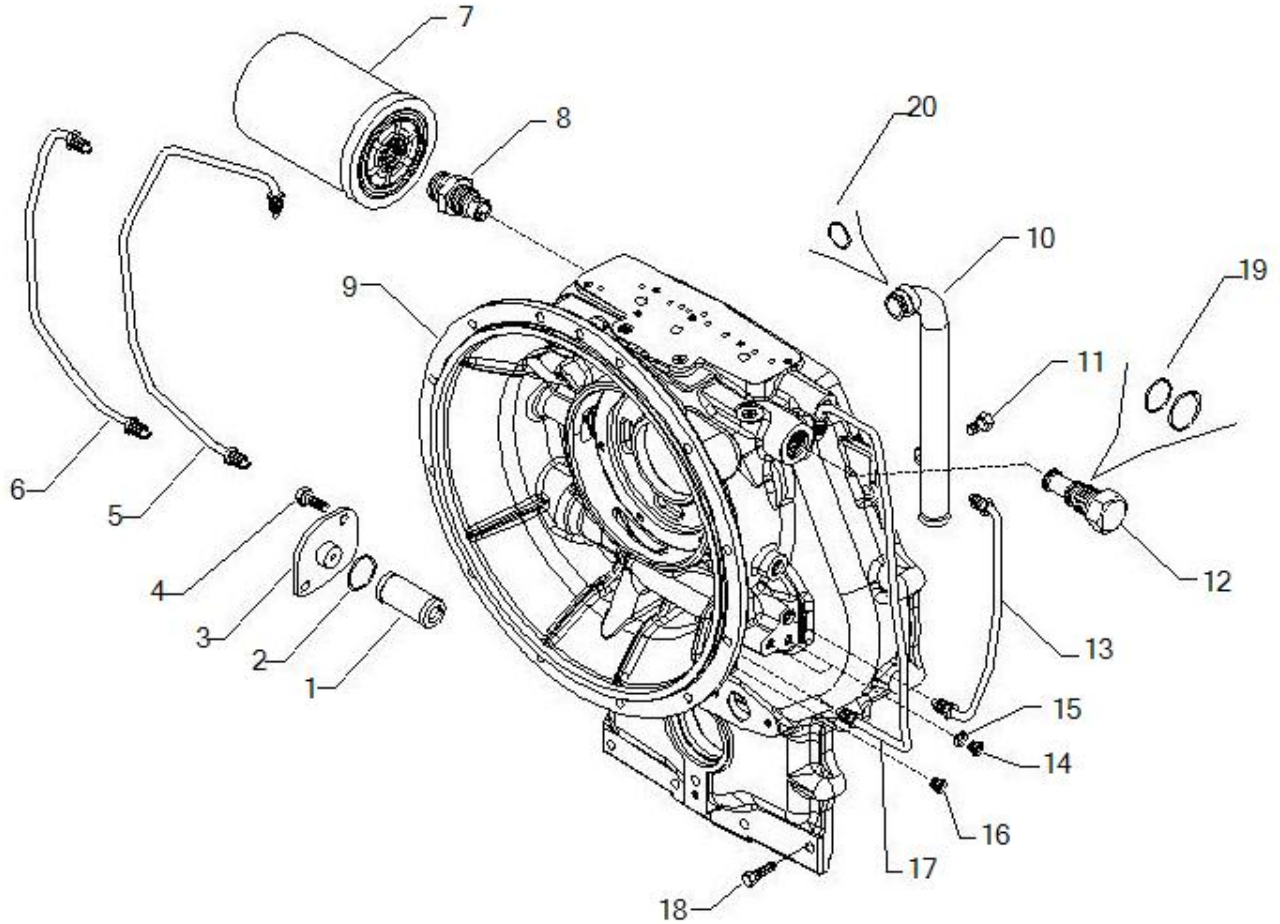
**TRANSMISSION TLB2 4WD\_(ECO15305)**

**REF: 386461**

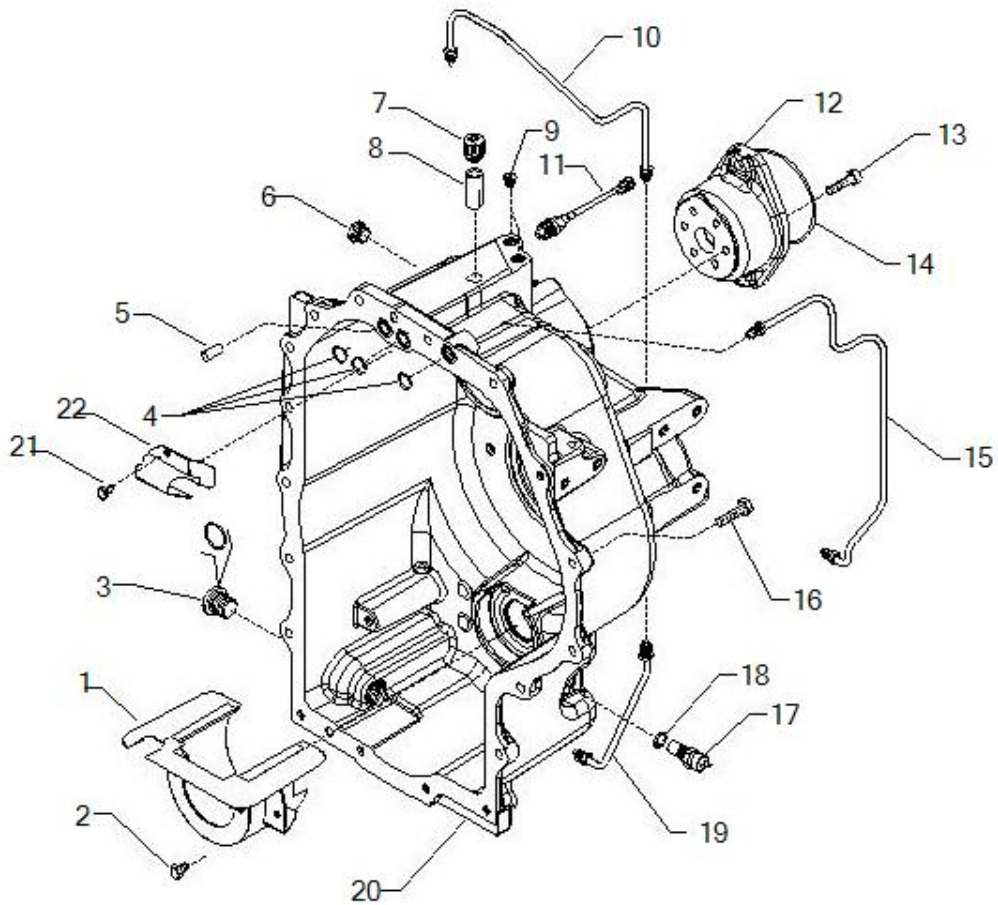
- 1.1 Oil pump**
- 2.1 Transmission half housing (front)**
- 3.1 Transmission half housing (rear)**
- 4.1 Input and PTO transmission shafts (axe A)**
- 5.1 Reverse shaft (axe D) and primary shaft (axe B)**
- 6.1 Secondary shaft (axe C)**
- 7.1 Secondary shaft (axe C)**
- 8.1 Output shaft (axe E)**
- 9.1 Control valve**
- 10.1 Torque converter**



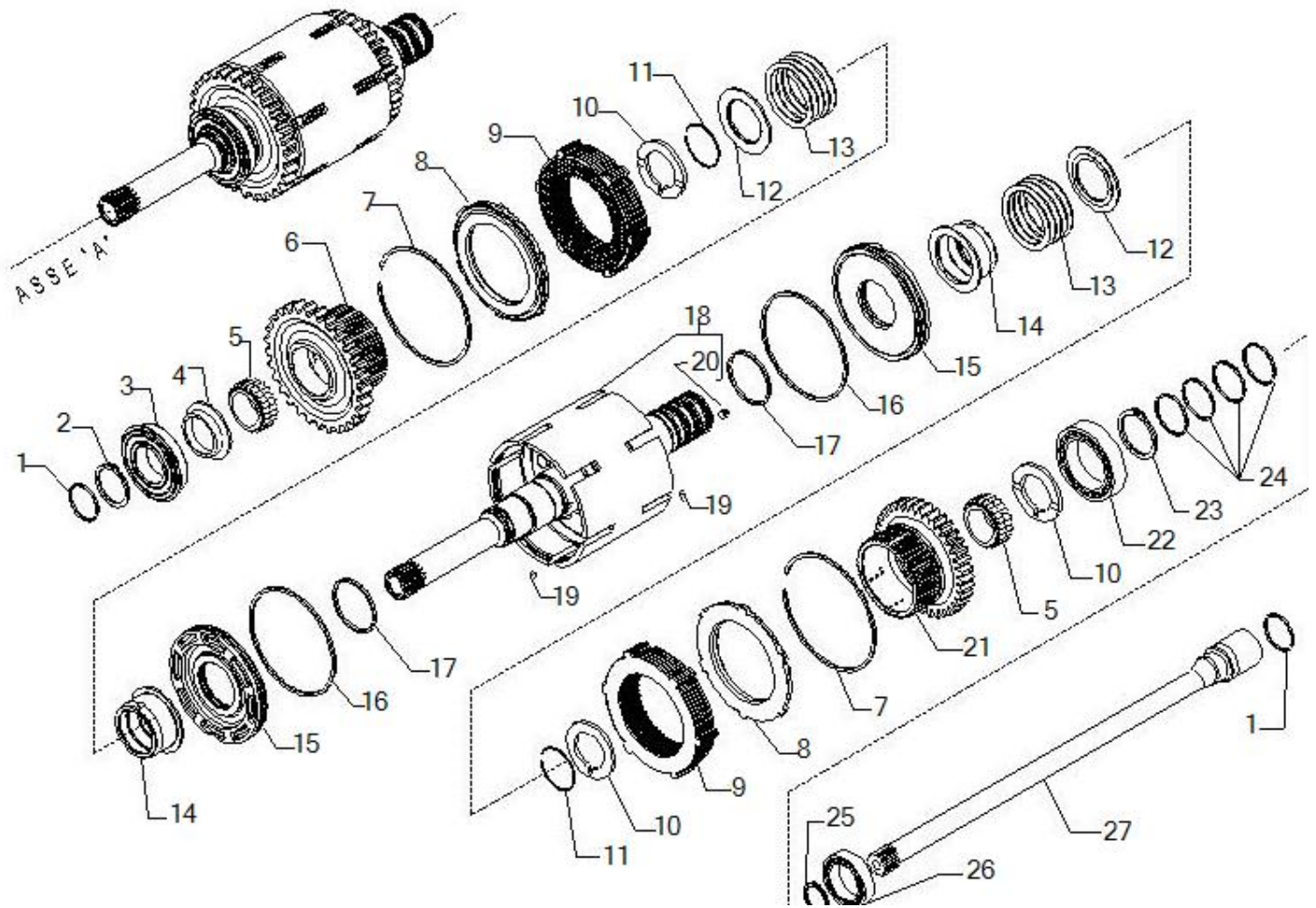
<b>Pos</b>	<b>Ref</b>	<b>Qty</b>	<b>Description</b>	<b>Kit</b>	<b>Note</b>
1	146305	1	PUMP ASSEMBLY TRASMISSION PTO		
2	133566	1	SEAL RING BAVISLSFRDX7 57.15X76.2X9.5/11	146305	
3	20803	9	Screw M8x60		
4	28561	1	O.ring	146305	



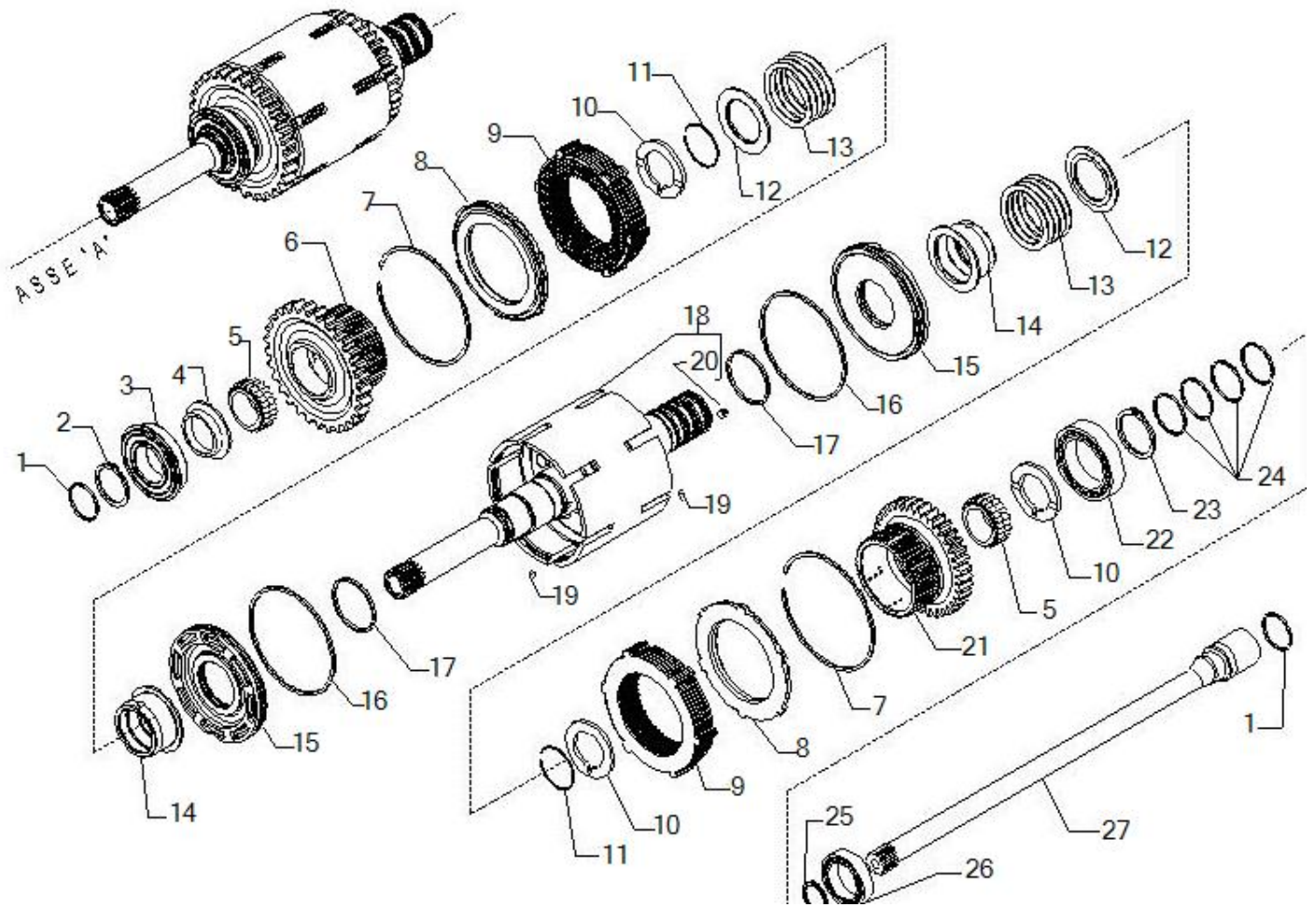
Pos	Ref	Qty	Description	Kit	Note
1	135859	1	FILTER Oil		
2	28131	1	O.ring		
3	131368	1	FILTER COVER OLIO		
4	20777	2	Screw M8X18		
5	642319	1	TUBE 3^ VELOCITA'		
6	642314	1	TUBE 1^ VELOCITA'		
7	40952	1	Oil filter		
8	131217	1	OIL FILTER CONNECTOR		
9	641456	1	GEARBOX HALF HOUSING Front (381723)		
10	642505	1	TUBE ASPIRAZIONE OLIO		
11	20849	1	Bolt M10x20		
12	149284	1	VALVE REGOLATRICE DI PRESSIONE EP12 S350		
13	642316	1	TUBE 2^ VELOCITA"		
14	21322	5	PLUG 1/8 GAS A-301010		
15	23260	5	Copper washer 10x14x1.5		
16	21570	3	Plug		
17	642315	1	TUBE 4^ VELOCITA"		
18	20864	5	Bolt M10x55		
19	68751	1	Seals kit		
20	28122	1	O ring		



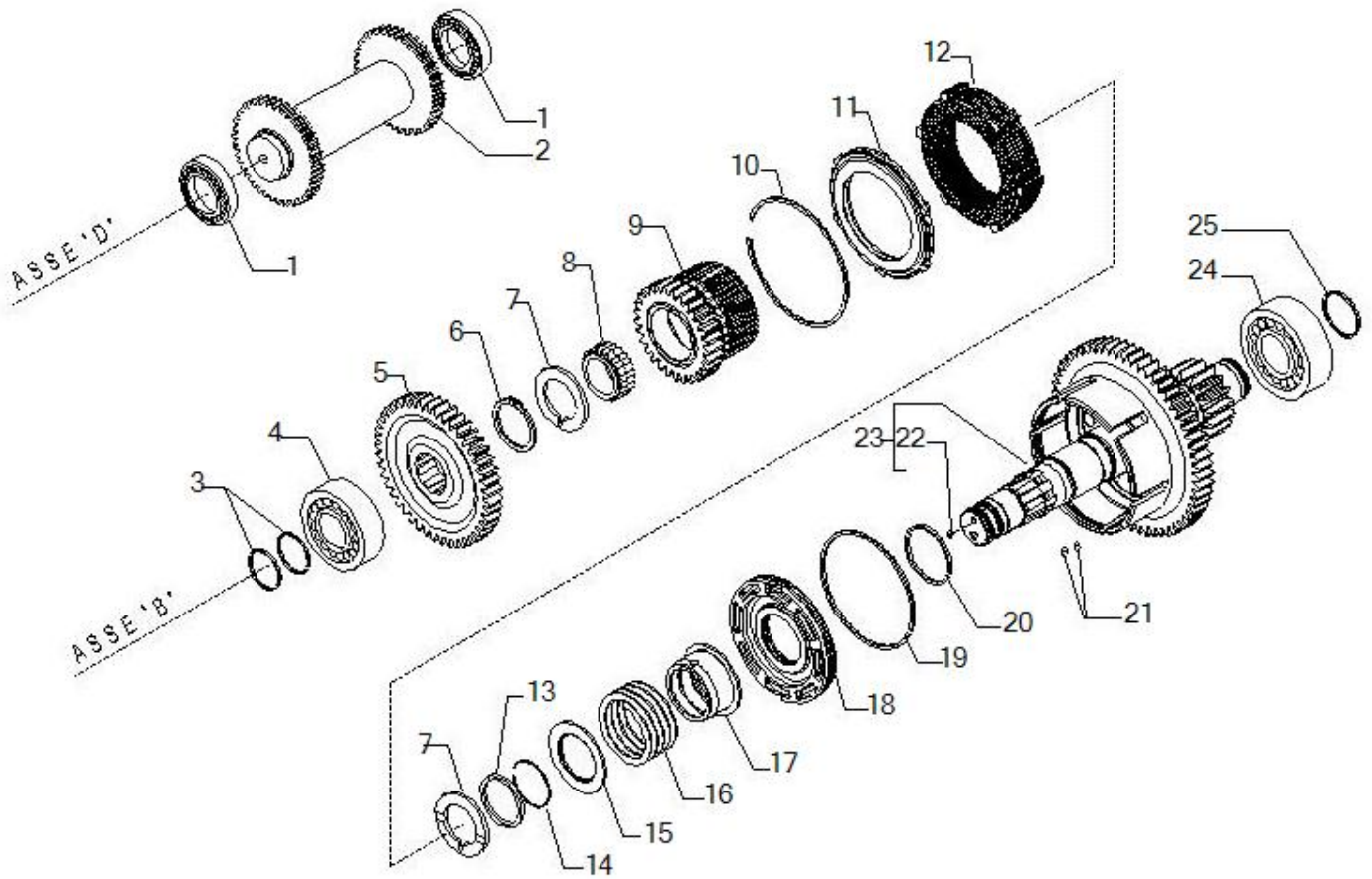
<b>Pos</b>	<b>Ref</b>	<b>Qty</b>	<b>Description</b>	<b>Kit</b>	<b>Note</b>
1	373938	1	BULKHEAD OLIO		
2	20849	2	Bolt M10x20		
3	125280	1	MAGNETIC PLUG M30X2		
4	28560	3	O.ring		
5	72259	2	Pin D10x25		
6	30745	2	Plug 7/8		
7	30368	1	Breather		
8	139278	1	TUBE SFIATO OLIO		
9	21570	2	Plug		
10	149447	1	OIL LUB PIPE D		
11	143687	1	SENDER		
12	142410	1	MOTOR FLANGE SAE C (402153)		
13	21409	6	Bolt M10x25		
14	28571	1	O.ring		
15	642317	1	TUBE 4WD		
16	20854	13	Bolt M10x35		
17	641928	1	SENSORE GIRI		
18	23268	1	SEAL WASHER DIN 7603 18X24X1.5 CU		
19	642318	1	OIL LUB PIPE D		
20	641455	1	GEARBOX HALF HOUSING Rear (10631)		
21	20842	1	Bolt M10x16		
22	372388	1	BULKHEAD sfiato olio TLB2		



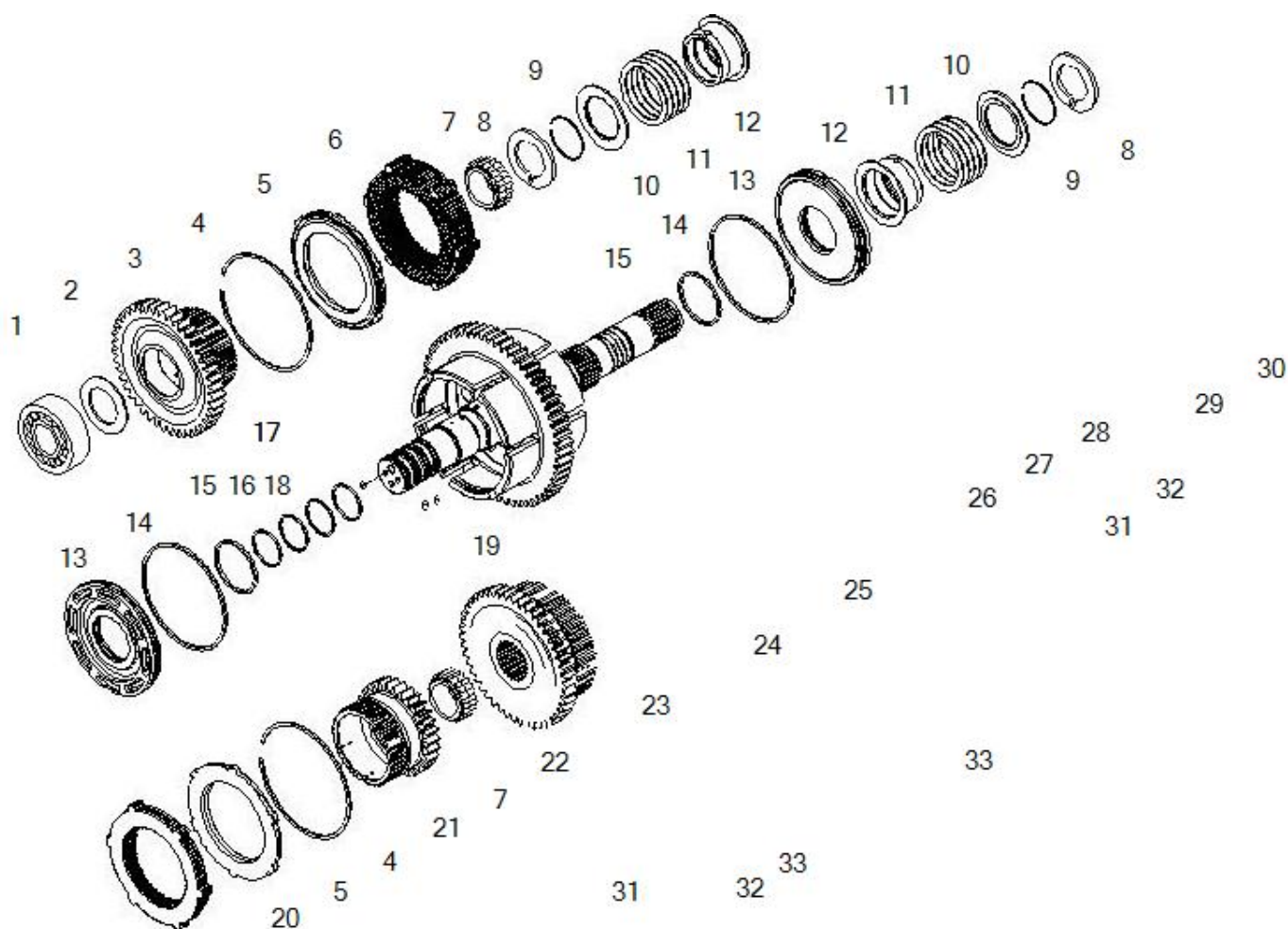
Pos	Ref	Qty	Description	Kit	Note
1	139197	2	ROTARY SEAL RING D45.13		
2	24800	1	Snap ring		
3	26160	1	Bearing		
4	139011	1	WASHER 45X68X10.5		
5	27956	2	Needle bearing bush		
6	148574	1	GEAR Z37 M4 REV		
7	25067	2	Lockring		
8	135020	2	BACKING PLATE		
9	149306	2	CLUTCH PACK FWD/RVS		
10	138986	3	WASHER 50.1X68X4		
11	25031	2	Lockring		
12	133912	2	SPRING LOCK		
13	139351	2	COMPRESSION SPRING 7-78-85.5		
14	138984	2	CLUTCH SLEEVE		
15	138983	2	CLUTCH PISTON (11788)		
16	139199	2	AXIAL SEAL RING D138+OR		
17	139198	2	AXIAL SEAL RING D55+OR		
18	68354	1	Inner shaft (assy)		
19	24321	2	Split pin D3x8		
20	23835	4	Rivet	68354	
21	148573	1	GEAR Z37 M3.5 FWD		
22	25811	1	Bearing		
23	24805	1	Snap ring		
25	24785	1	CIRCLIP DIN 471 30		
26	25735	1	Bearing		
27					



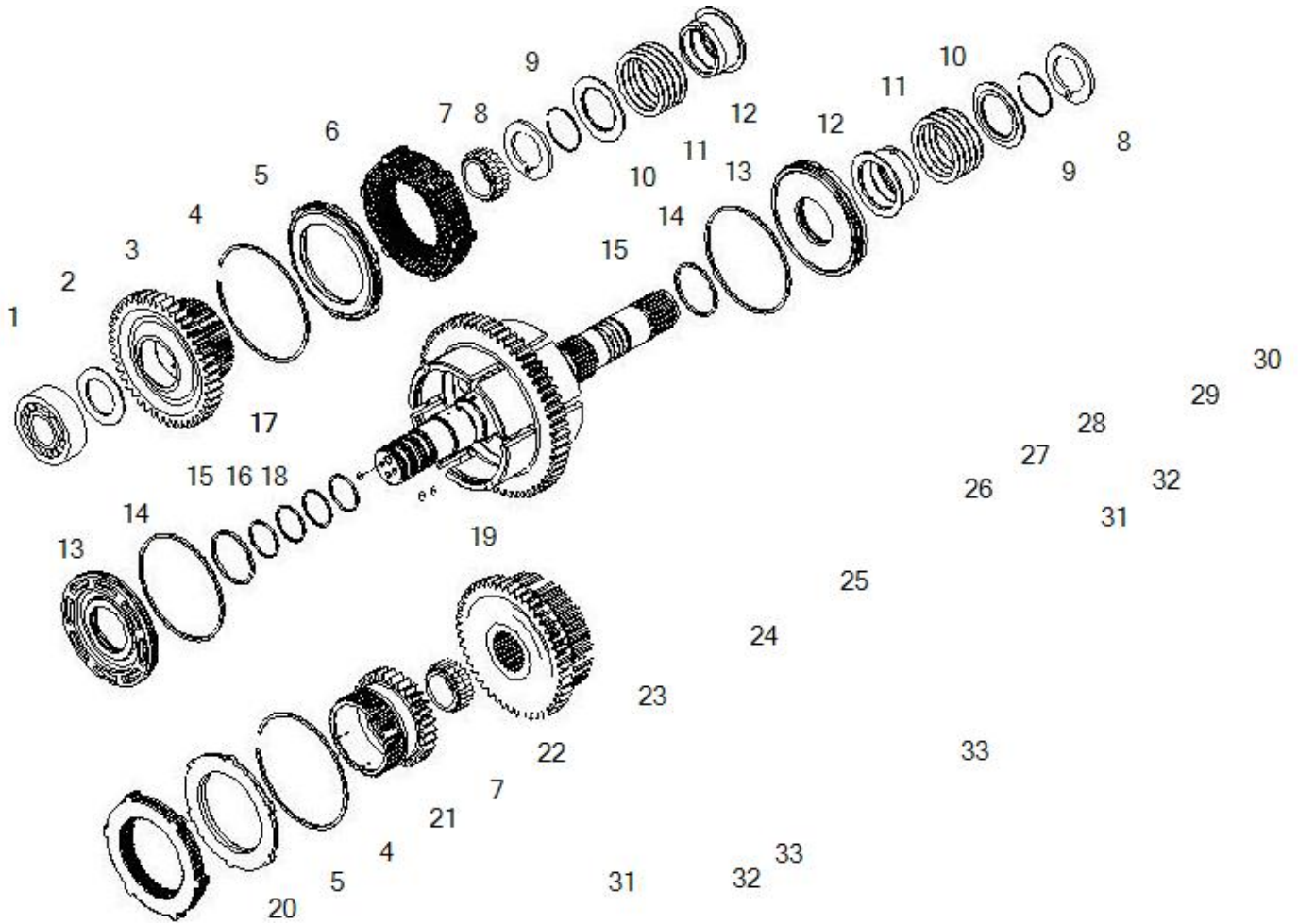
Pos	Ref	Qty	Description	Kit	Note
27	138383	1	TRANSMISSION SHAFT L589 PTO		



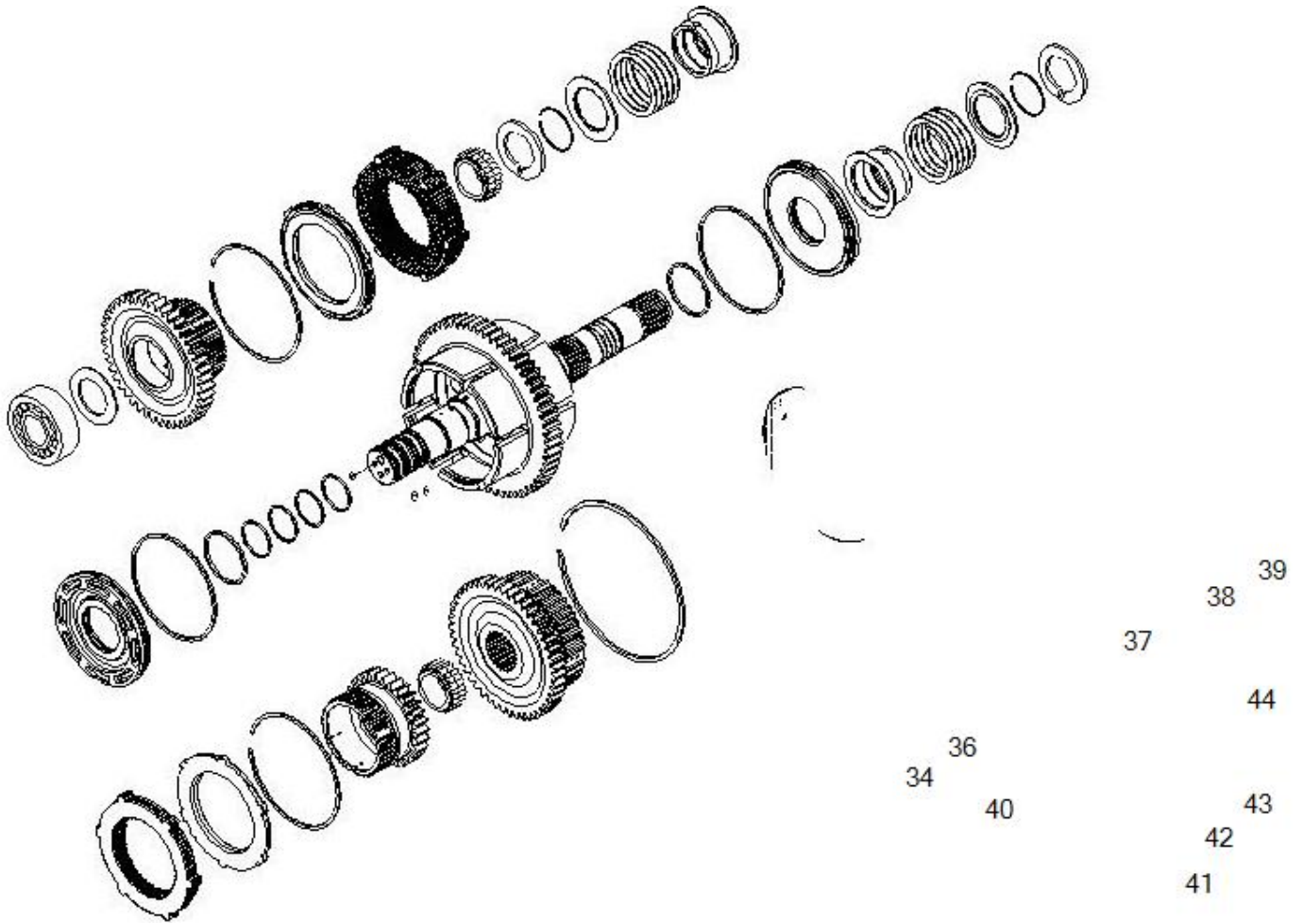
Pos	Ref	Qty	Description	Kit	Note
1	25808	2	Bearing		
2	137647	1	COUNTERSHAFT Z27/27 M4		
3	148565	2	ROTARY SEAL RING D40		
4	25859	1	Bearing		
5	133174	1	GEAR Z45 M3.5		
6	24805	1	Snap ring		
7	138986	2	WASHER 50.1X68X4		
8	27956	1	Needle bearing bush		
9	148635	1	GEAR Z28 M3.5		
10	25067	1	Lockring		
11	135020	1	BACKING PLATE		
12	149303	1	CLUTCH PACK 2 <sup>^</sup> /3 <sup>^</sup> V. TLB2		
13	148636	1	FIFTH WHEEL 50X58X5.2		
14	25031	1	Lockring		
15	133912	1	SPRING LOCK		
16	139351	1	COMPRESSION SPRING 7-78-85.5		
17	138984	1	CLUTCH SLEEVE		
18	138983	1	CLUTCH PISTON (11788)		
19	139199	1	AXIAL SEAL RING D138+OR		
20	139198	1	AXIAL SEAL RING D55+OR		
21	24321	2	Split pin D3x8		
22	23834	1	Rivet	68392	
23	68392	1	Shaft Z58/17(assy)		
24	25860	1	Bearing		
25	139197	1	ROTARY SEAL RING D45.13		



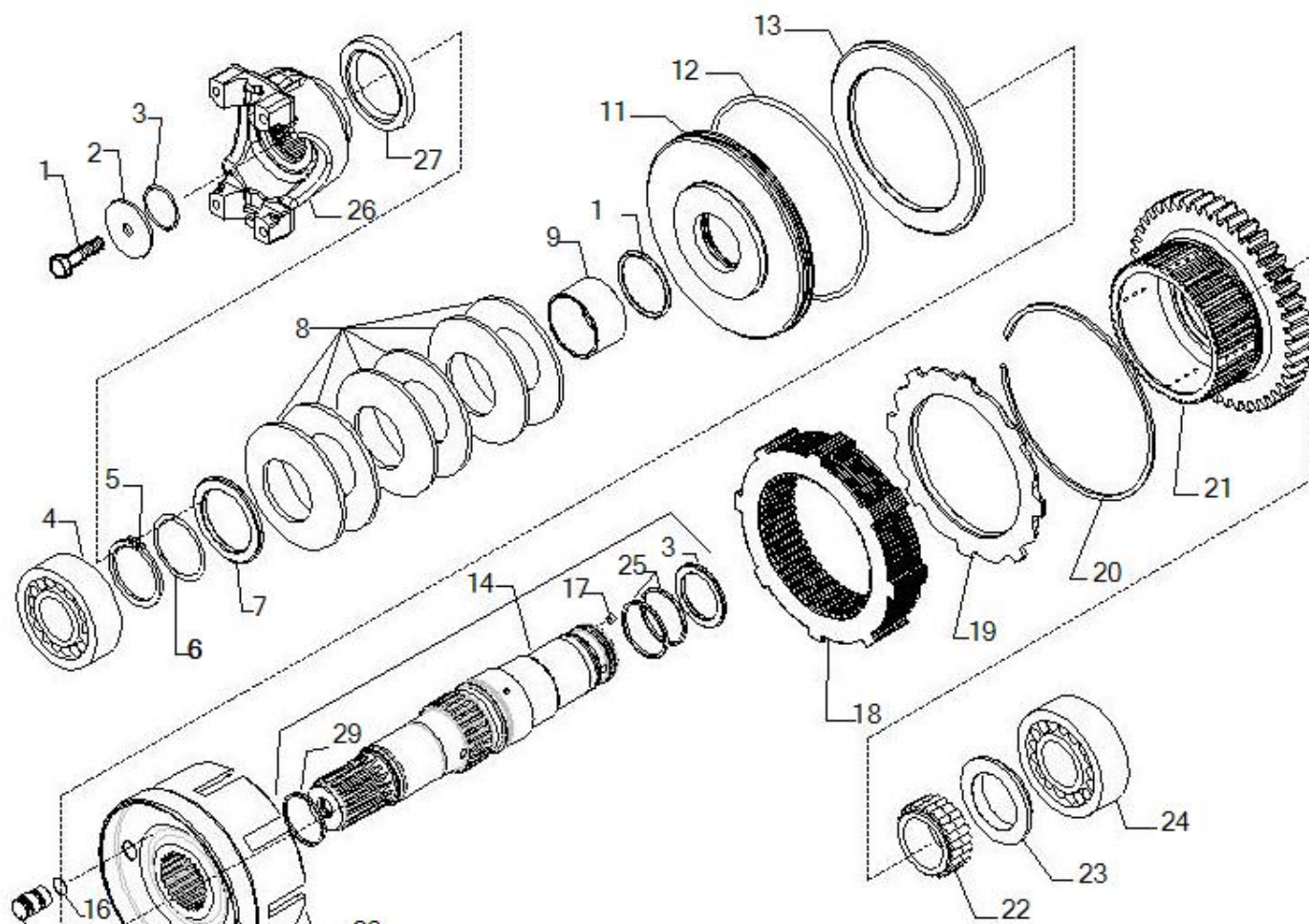
Pos	Ref	Qty	Description	Kit	Note
1	25829	1	Bearing		
2	138985	1	WASHER 45.1X68X4		
3	148642	1	GEAR Z44 M3.5 3 <sup>^</sup> V.		
4	25067	2	Lockring		
5	135020	2	BACKING PLATE		
6	149303	1	CLUTCH PACK 2 <sup>^</sup> /3 <sup>^</sup> V. TLB2		
7	27956	2	Needle bearing bush		
8	138986	2	WASHER 50.1X68X4		
9	25031	2	Lockring		
10	133912	2	SPRING LOCK		
11	139351	2	COMPRESSION SPRING 7-78-85.5		
12	138984	2	CLUTCH SLEEVE		
13	138983	2	CLUTCH PISTON (11788)		
14	139199	2	AXIAL SEAL RING D138+OR		
15	139198	2	AXIAL SEAL RING D55+OR		
16	139197	4	ROTARY SEAL RING D45.13	68768	
17	68768	1	Shaft Z60		
18	23834	3	Rivet	68768	
19	24321	2	Split pin D3x8		
20	149304	1	CLUTCH PACK 4 <sup>^</sup> V. TLB2		
21	148640	1	GEAR Z30 M3.5 4 <sup>^</sup> V.		
22	642121	1	GEAR Z51 M3.5		
23	25066	1	Lockring		
24	138381	1	BACKING PLATE		
25	149302	1	CLUTCH PACK 1 <sup>^</sup> V. TLB2		



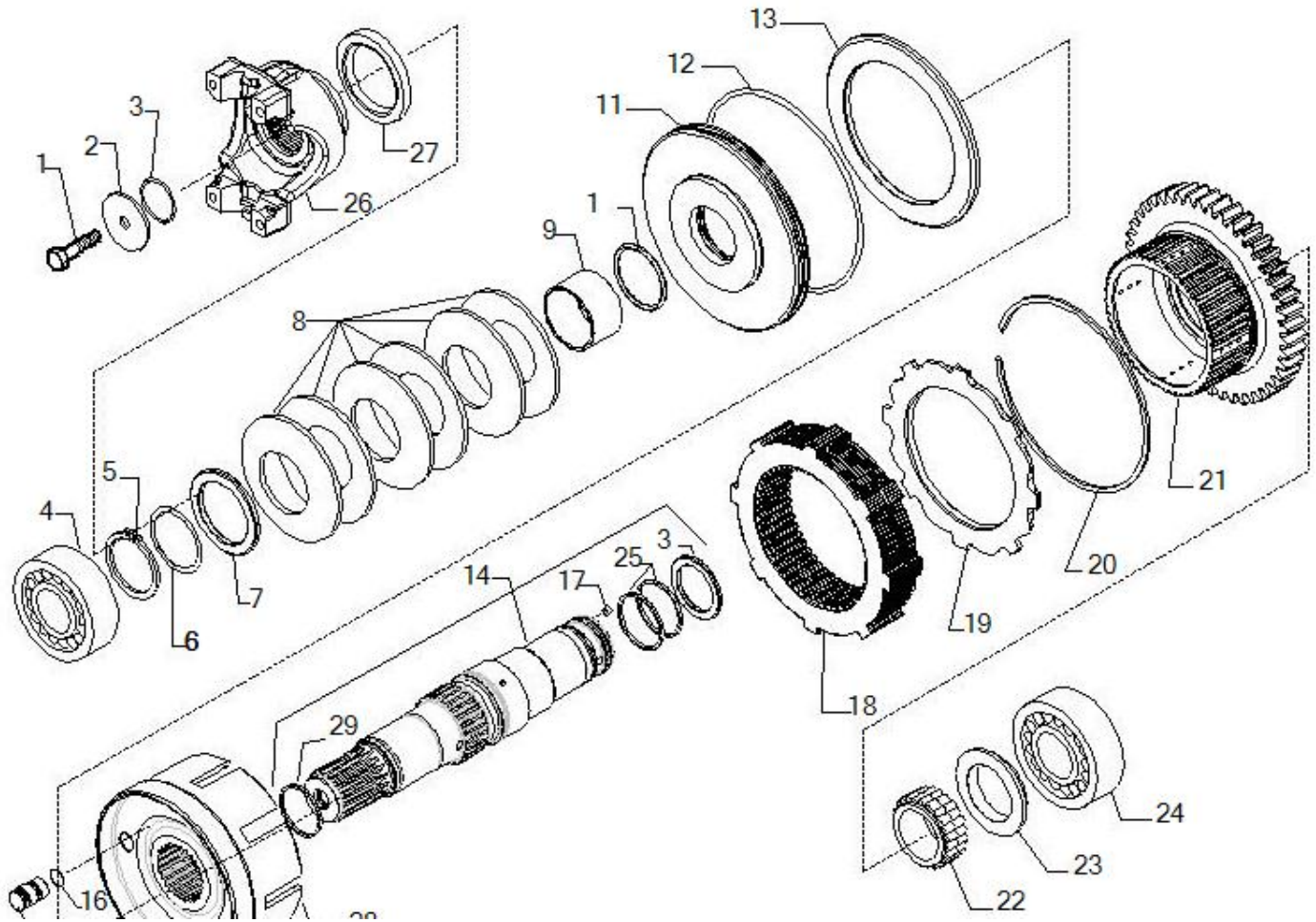
<i>Pos</i>	<i>Ref</i>	<i>Qty</i>	<i>Description</i>	<i>Kit</i>	<i>Note</i>
26	25021	1	Lockring		
27	139347	1	SPRING COVER (13016)		
28	139348	1	COMPRESSION SPRING 9-108-100		
29	148647	1	CLUTCH PISTON		
30	145899	1	AXIAL SEAL RING D198+OR3750		
31	28015	2	Needle bearing bush		
32	28350	2	Bush		
33	28648	2	O.ring		



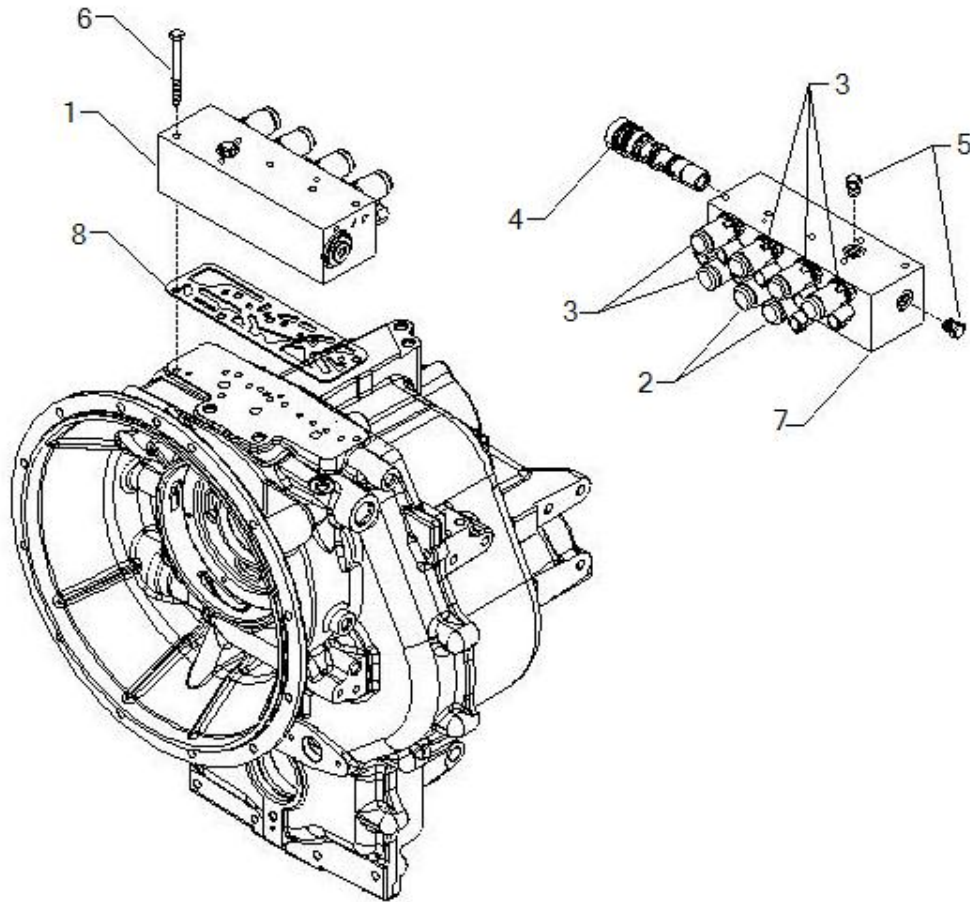
<b>Pos</b>	<b>Ref</b>	<b>Qty</b>	<b>Description</b>	<b>Kit</b>	<b>Note</b>
34	142923	2	ROTARY SEAL RING D55		
35	148641	1	SPACER 54.7X45X31.5		
36	145900	1	AXIAL SEAL RING D80+OR2287		
37	148637	1	GEAR Z60 M4 1^V.		
38	150000	1	WASHER 45.5X53X1		
39	25860	1	Bearing		
40	25485	1	Oil seal ring		
41	148854	1	PM FLANGE END YOKE 1410		
42	28623	1	O.ring		
43	129924	1	WASHER 12.5X52X5		
44	123918	1	SELF-LOCKING SCREW M12X1.25X25 10.9		



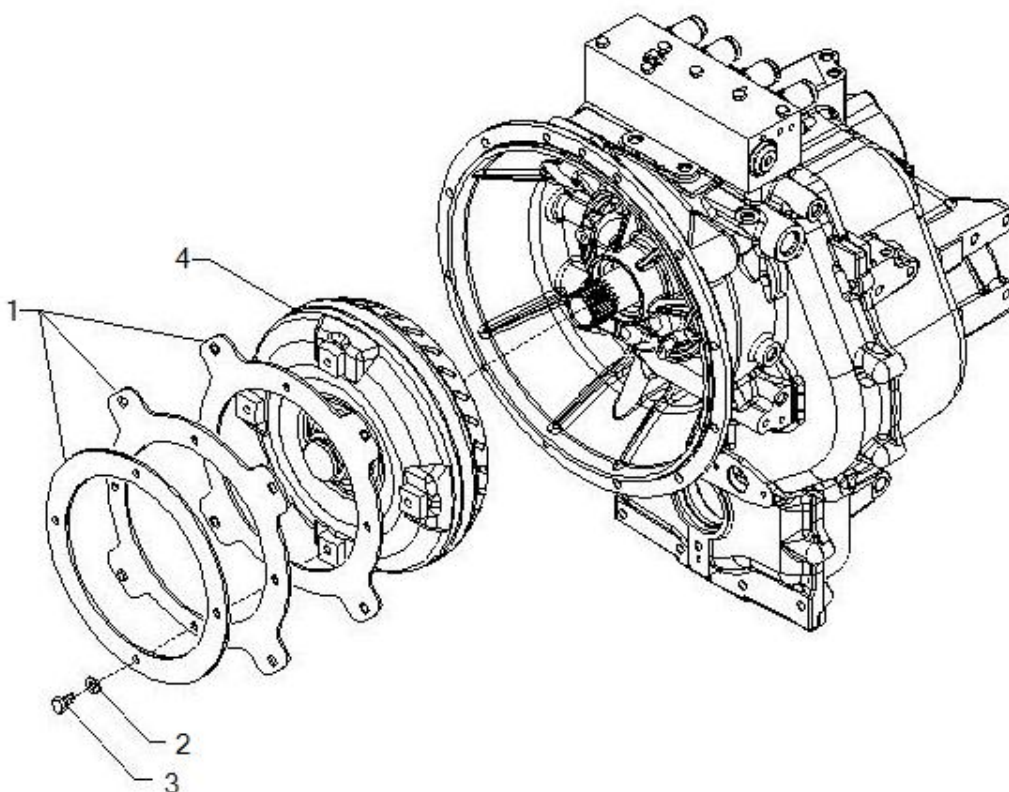
Pos	Ref	Qty	Description	Kit	Note
1	123918	1	SELF-LOCKING SCREW M12X1.25X25 10.9		
2	129924	1	WASHER 12.5X52X5		
3	28131	1	O.ring		
4	25809	1	Bearing		
5	24799	1	Snap ring		
7	138391	1	FIFTH WHEEL 45.1X61X4.5		
8	138399	6	BELLEVILLE WASHER 100x51x4		
9	138394	1	SPACER 50.2X45.1X29.4		
10	28548	1	O.ring		
11	139341	1	CLUTCH PISTON (13014)		
12	28624	1	O.ring		
13	138384	1	ACTUATOR DISC		
14	68703	1	4WD shaft		
15	139342	3	PIN ATTUAZIONE FRENO		
16	28534	3	O.ring		
17	23834	1	Rivet	68703	
18	149305	1	CLUTCH PACK 4WD TLB2		
19	141114	1	RING ARRESTO DISCO FRIZIONE		
20	25009	1	Lockring		
21	642122	1	GEAR Z41 M3.5 4WD		
22	27956	1	Needle bearing bush		
23	139011	1	WASHER 45X68X10.5		
24	25829	1	Bearing		
26	144452	1	PM FLANGE END YOKE 1410		
27	25485	1	Oil seal ring		



Pos	Ref	Qty	Description	Kit	Note
28	368059	1	CLUTCH CAN 4WD TLB2		



<b>Pos</b>	<b>Ref</b>	<b>Qty</b>	<b>Description</b>	<b>Kit</b>	<b>Note</b>
1	642437	1	TRANSMISSION DISTRIBUTOR TLB2		
2	149785	2	SOLENOID VALVE PROPORTION	642437	
3	149786	5	SOLENOID VALVE ON/OFF SV9	642437	
4	643073	1	VALVE MODULATRICE	642437	
5	21570	2	Plug		
6	20809	6	Bolt M8x90		
7	642504	1	HYDRAULIC CONTROL BLOCK T	642437	
8	149283	1	GASKET		



<i>Pos</i>	<i>Ref</i>	<i>Qty</i>	<i>Description</i>	<i>Kit</i>	<i>Note</i>
1	642654	1	FLYWHEEL TOW DISC		
2	23050	4	Spring washer		
3	20842	4	Bolt M10x16		
4	642652	1	CONVERTER SACHS W300-204-2.64		